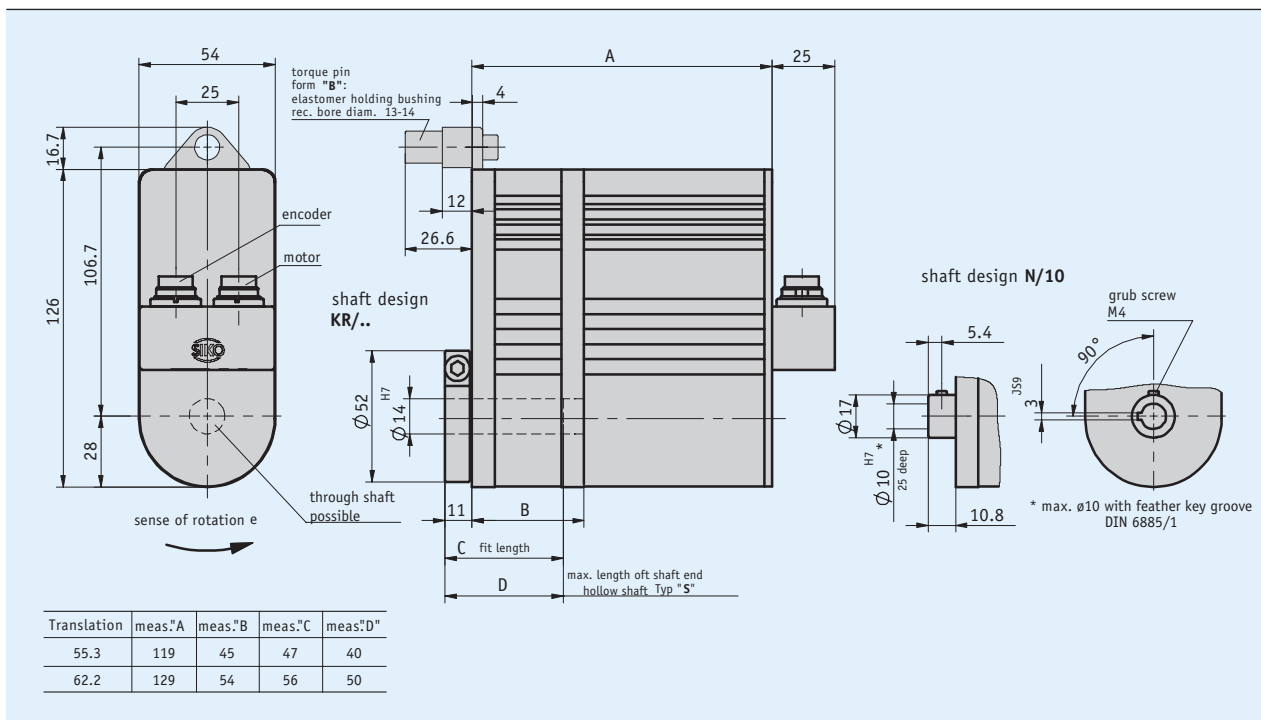


### Profile

- Easy mounting
- Optional through hollow shafts up to max.  $\varnothing$  14 mm
- Integrated analog absolute position encoder



### Mechanical data

Feature	Technical data	Additional information
Shaft	black-finished steel	
Housing	aluminum	
Nominal torque/rated speed	8 Nm at 120 rpm 9 Nm at 110 rpm	i = 55.3 (150 W motor) i = 62.2 (150 W motor)
Operating mode	S3 intermittent operation: 25 % DC, 10 min.	EN 60034-1
Weight	~1.8 kg	(analog)

### Electrical data

#### ■ Motor

Feature	Technical data	Additional information
Operating voltage	0 ... 24 V DC	reverse polarity protected
Power input	150 W	
Rated current	5.8 A $\pm$ 4 % (150 W motor)	max. load current i = 55.3 / i = 62.2
Type of connection	2x M16 plug connectors	3-pole, 1x pin; 7-pole, 1x pin

## Encoder potentiometer

Feature	Technical data	Additional information
Power rating	2 W at 70 °C	P10 position encoder
Resistance tolerance	±5 %	P10 position encoder
Standard terminal resistance	0.2 % or 1 Ω	P10 position encoder (always the higher value)
Linearity tolerance	±0.25 %	P10 position encoder

## Transducer, power output

Feature	Technical data	Additional information
Operating voltage	24 V DC ±20 %	at ≤500 Ω load, reverse polarity protected

## Transducer, voltage output

Feature	Technical data	Additional information
Operating voltage	24 V DC ±20 %	$I_{load} \leq 10$ mA, reverse polarity protected

## Ambient conditions

Feature	Technical data	Additional information
Ambient temperature	0 ... 70 °C	
Storage temperature	-20 ... 80 °C	
Relative humidity		condensation inadmissible
EMC	EN 61800-3, second environment	interference resistance / immission
	EN 61800-3, C3	emitted interference / emission
Protection category	IP50	EN 60529, mating connectors mounted
Shock resistance	500 m/s <sup>2</sup> , 11 ms	EN 60068-2-27
Vibration resistance	≤100 m/s <sup>2</sup> , 5 ... 150 Hz	EN 60068-2-6

## Pin assignment

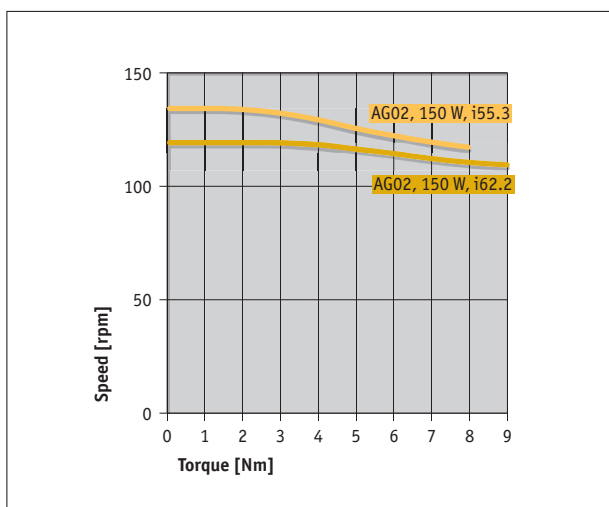
### Motor

Signal	PIN
Motor +	1
N.C.	2
Motor -	3

### Potentiometer

P01/P10	MWI	MWU	PIN
Pe	I-	GND	1
Po	I+	+24 V DC	2
S	N.C.	Uout	3
N.C.	N.C.	N.C.	4-7

## Performance curve



### Order

#### Ordering table

Feature	Ordering data	Specification	Additional information
Gear ratio	55.3	i = 55.3	
	62.2	i = 62.2	
Shaft design/diameter	KR/14	clamping ring, ø14 mm	
	N/10	keyway, ø10 mm	with i=55.3, other transmissions on request
Hollow shaft type	S	blind hole	for the max. length of the stub shaft refer to the table of dimensions
	D	through	
Torque pin	B	lug	incl. elastomer bushing
	OD	without	
Position encoder	MWI	transducer 4 ... 20 mA	10-turn potentiometer
	MWU	transducer 0 ... 10 V	10-turn potentiometer
	P01	potentiometer 1 kΩ	10-turn potentiometer
	P10	potentiometer 10 kΩ	10-turn potentiometer
		others on request	
Potentiometer transmission	...	1 ... 128 max.	
Sense of rotation	i	clockwise ascending values	only with MWI and MWU encoders
	e	counter-clockwise ascending values	only with MWI and MWU encoders

\* Calculation of potentiometer gear ratio: For example, if 120 revolutions are required for one adjustment, then a gear ratio of 12 should be indicated for the 10-turn potentiometer. To be precise: number of revolutions required/10 (10-turn potentiometer) = potentiometer gear ratio

#### Order key

AG02 Analog -  - 150W -  -  -  - LR -  -  -  - OMS - XX/XX - OFB

A
B
C
D
E
F
G

Scope of delivery: AG02 Analog, Quick Start Guide

#### Accessories:

Cable extension KV0250

Cable extension KV0750

Motor control module MS02

Electronic display MA50

Mating Connector Overview

Mating connector, motor/voltage supply, 3-pole, socket

Mating connector, motor/voltage supply, 3-pole, angle socket

Mating connector, encoder/digital inputs, 7-pole, socket

Mating connector, encoder/digital inputs, 7-pole, angle socket

[www.siko-global.com](http://www.siko-global.com)

[www.siko-global.com](http://www.siko-global.com)

[www.siko-global.com](http://www.siko-global.com)

[www.siko-global.com](http://www.siko-global.com)

[www.siko-global.com](http://www.siko-global.com)

Order key 82182

Order key 81363

Order key 76141

Order key 78088