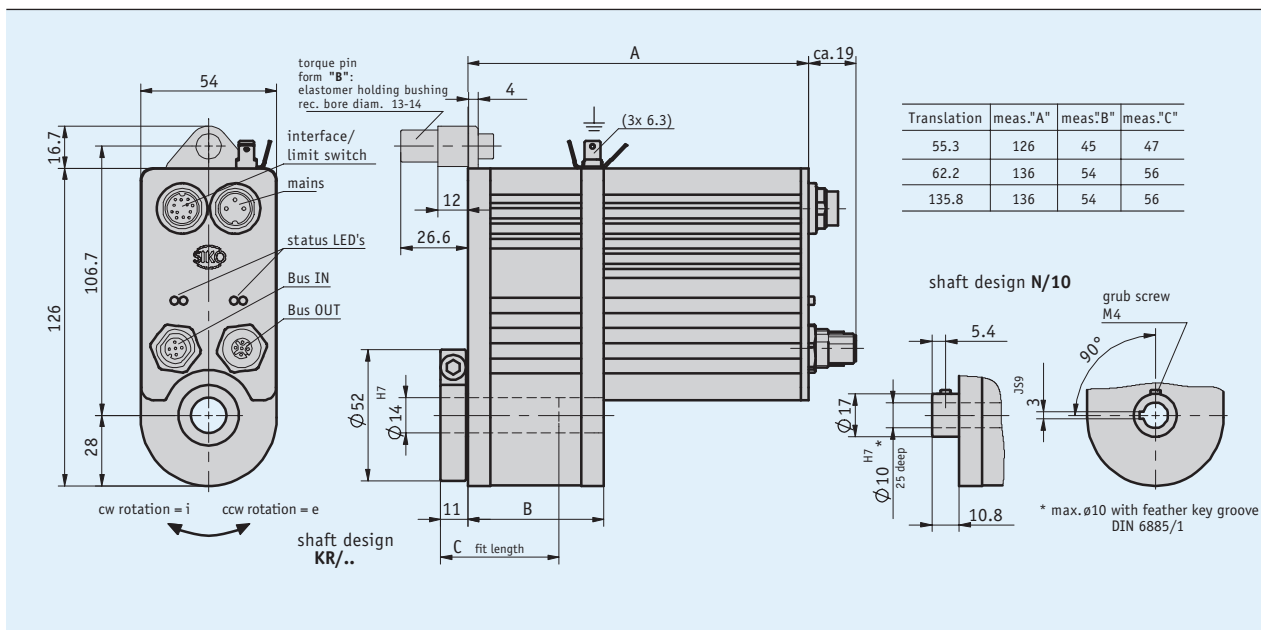


## Profile

- Easy mounting
- Through hollow shafts up to max.  $\varnothing 14$  mm
- Integrated absolute position encoder on the output shaft
- Integrated positioning controller
- Integrated fieldbus interface (option)



## Mechanical data

Feature	Technical data	Additional information
Shaft	black-finished steel	
Housing	aluminum	
Nominal torque/rated speed	5 Nm at 80 rpm	i = 55.3 (70 W-M motor)
	6 Nm at 70 rpm	i = 62.2 (70 W-M motor)
	9 Nm at 35 rpm	i = 135.8 (70 W-M motor)
Operating mode	S3 intermittent operation: 25 % DC, 10 min.	EN 60034-1
Weight	~1.2 kg	(Fieldbus)

## Electrical data

### Motor

Feature	Technical data	Additional information
Operating voltage	24 V DC $\pm 10\%$	reverse polarity protected, fieldbus
Power input	70 W	
Parameter storage	$10^5$ cycles $\pm 4\%$ (70 W-M motor)	also applies to calibration operations (only ABM)
Rated current	2.9 A	max. load current $i = 55.3 / i = 62.2$
	2.1 A $\pm 4\%$ (70 W-M motor)	max. load current $i = 135.8$
Type of connection	2x M16 plug connectors	3-pole, 1x pin; 12-pole, 1x pin
	-2x M12 plug connectors (A-coded)	5-pole, 1x pin; 5-pole, 1x socket (CAN)
	2x M12 plug connectors (B-coded)	5-pole, 1x pin; 5-polig, 1x socket (PB)

## System data

Feature	Technical data	Additional information
Resolution	1600 steps/revolution	ABM P10 position encoder
Travel range	$\pm 6250$ revolution(s) (multiturn)	ABM position encoder

## Ambient conditions

Feature	Technical data	Additional information
Ambient temperature	0 ... 50 °C	
Storage temperature	-20 ... 60 °C	
Relative humidity		condensation inadmissible
EMC	EN 61800-3, second environment	interference resistance / immission
	EN 61800-3, C3	emitted interference / emission
Protection category	IP50	EN 60529, mating connectors mounted
Shock resistance	500 m/s <sup>2</sup> , 11 ms	EN 60068-2-27
Vibration resistance	$\leq 100$ m/s <sup>2</sup> , 5 ... 150 Hz	EN 60068-2-6

## Pin assignment

### Voltage supply

Signal	PIN
+Ub	1
N.C.	2
-Ub	3

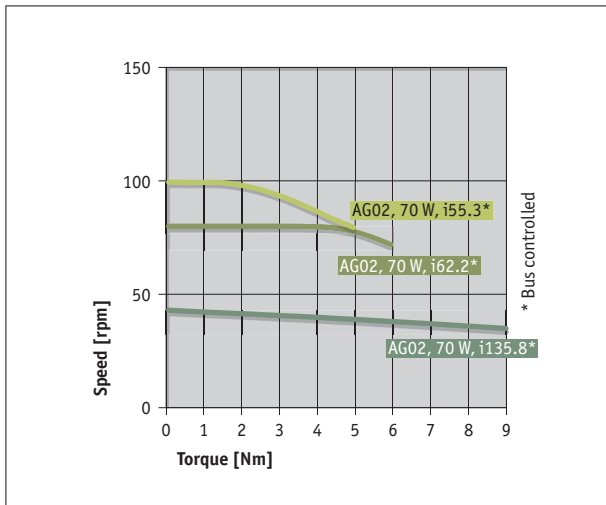
### Fieldbus

Profibus-DP	CANopen	PIN
+5 V DC	N.C.	1
BUS A	N.C.	2
GND	CAN_GND	3
BUS B	CAN_H	4
N.C.	CAN_L	5

### Interface/limit switch

Signal	PIN
ES1	A
ES2	B
Enable (24 V DC)	C
nc	D
+24 V DC	E
nc	F
RXD/DÜA	G
TXD/DÜB	H
GND/serial interface	J
GND (ES1, ES2, Emergency-off, CAL)	K
CAL	L
GND	M

### Performance curve



### Order

#### Ordering table

Feature	Ordering data	Specification	Additional information
Gear ratio	55.3	i = 55.3	
	62.2	i = 62.2	
	135.8	i = 135.8	
Shaft design	KR/14	clamping ring, ø14 mm	
	N/10	keyway, ø10 mm	with i=55.3, other transmissions on request
Torque pin	B	lug	incl. elastomer bushing
	OD	without	
Interface	S1/00	RS232, standard, electronic control unit	
	S3/00	RS485, standard, electronic control unit	
Fieldbus	OFB	without fieldbus	
	PB	Profibus-DP	
	CAN	CANopen	

#### Order key

AG02 Fieldbus - A - 70W-M - B - D - C - LA - ABM - OMS - D - E - SW

**Scope of delivery:** AG02 Fieldbus, Quick Start Guide

**Accessories:**

*Cable extension KV02S0*

*Cable extension KV12S0*

*Programming Tool PT232*

*Cable adaptor KA232*

*Programming Tool PT485*

*Cable adaptor KA485*

*Programming software ProTool DL*

*Mating Connector Overview*

*Mating connector, motor/voltage supply, 3-pole, socket*

*Mating connector, motor/voltage supply, 3-pole, angle socket*

*Mating connector, encoder, 12-pole, socket*

*Mating connector, encoder, 12-pole, angle socket*

*Mating connector, Profibus IN, 5-pole, socket*

*Mating connector, Profibus IN, 5-pole, angle socket*

*Mating connector, Profibus OUT, 5-pole, pin*

*Mating connector, Profibus OUT, 5-pole, angular pin*

*Mating connector, CANopen IN, 5-pole, socket*

*Mating connector, CANopen IN, 5-pole, angle socket*

*Mating connector, CANopen OUT, 5-pole, pin*

*Mating connector, CANopen OUT, 5-pole, angular pin*

*Bus terminating connector, Profibus, 5-pole, pin*

*Bus terminating connector, CANopen, 5-pole, pin*

[www.siko-global.com](http://www.siko-global.com)

[www.siko-global.com](http://www.siko-global.com)

[www.siko-global.com](http://www.siko-global.com)

[www.siko-global.com](http://www.siko-global.com)

[www.siko-global.com](http://www.siko-global.com)

[www.siko-global.com](http://www.siko-global.com)

[www.siko-global.com](http://www.siko-global.com)

[www.siko-global.com](http://www.siko-global.com)

*Order key 82182*

*Order key 81363*

*Order key 76572*

*Order key 79666*

*Order key 83991*

*Order key 82804*

*Order key 83992*

*Order key 82805*

*Order key 84109*

*Order key 83006*

*Order key 84732*

*Order key 83007*

*Order key 82816*

*Order key 82815*