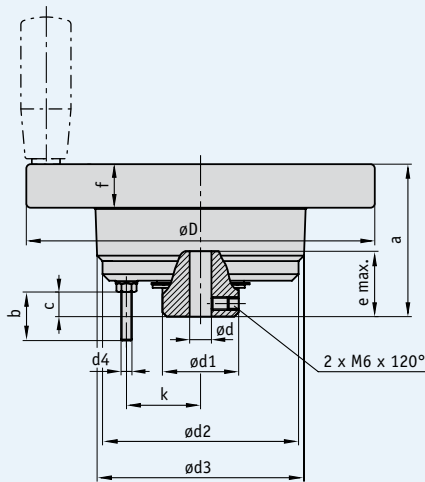


Handwheel HKF...

For any mounting position

Profile

- Aluminum handwheel with integrated position indicator
- For individual mounting positions
- Analog display with various ratios and special scales
- Various sizes
- Plastic-coated surface
- Various hub versions



Mechanical data

■ Dimensions

type	ØD	Ødv	Ødx	Ød1	Ød2	Ød3	d4	a	b	c	e	f	k	GfG	weight	material
HKF 12	120	6.8	20	35	90	95	M5	64	22.3	13.3	32	15	34	M6	1 kg	aluminum
HKF 16	160	7.8	20	35	90	95	M5	70	22.3	11.3	30	20	34	M8	1.1 kg	aluminum

dv = d predrilled; dx = d max.; GfG = thread for handle

Order

Order table

Feature	Order data	Technical data	Additional information
Handwheel type	HKF... A	12, 16	see table above
Surface	C	plastic-coated, hammer finish paint light-gray	
	KS	plastic-coated, black RAL9005 half-matt	
Handle bore	OG	without handle bore	
	...	M6 ... M8 with handle bore or handle thread	see "Dimensions", value GfG
Bore Ød	d vorg.	predrilled	see "Dimensions", value Ødv
	...	7...20 d max. in mm steps (H7)	see "Dimensions"
Keyway	OP	without keyway	
	JS9	light seat	according to DIN 6885 T1
	P9	tight seat	according to DIN 6885 T1
Clamp ring	OK	without clamp ring	
	MK	with clamp ring	only with handle bore OG
Gear ratio	...	1, 2, 3, 6, 10, 12, 15, 18, 20, 24, 30, 36, 48, 50, 60, 72, 84, 96, 100	
Sense of rotation	i	clockwise	
	e	counter-clockwise	
Pointer	1	pointer with gear ratio	
	2	1 pointer with gear ratio and 1 pointer running 1:1	
Zero setting	ON	without	
	MN	with	
Scale	N	normal scale	related to gear pitch
	VK	special scale	custom-designed, no VK with first article

Order code



Scope of delivery: HKF

Accessories:
Handles

Page 98

Additional information:
General information and areas of application

Page 62 cont.