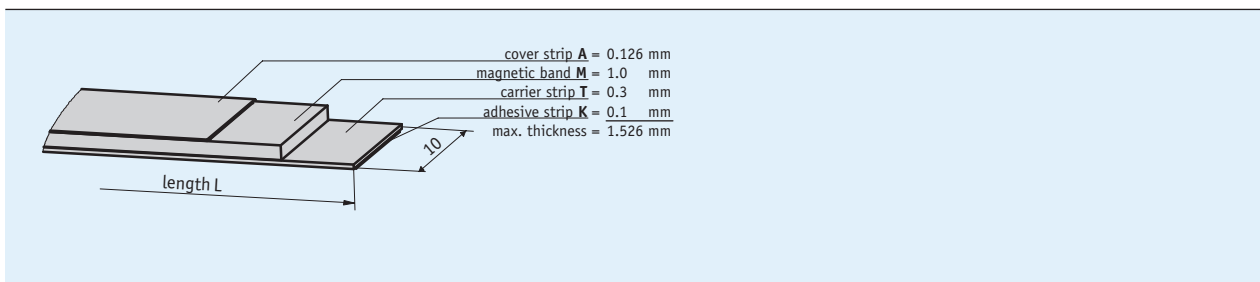
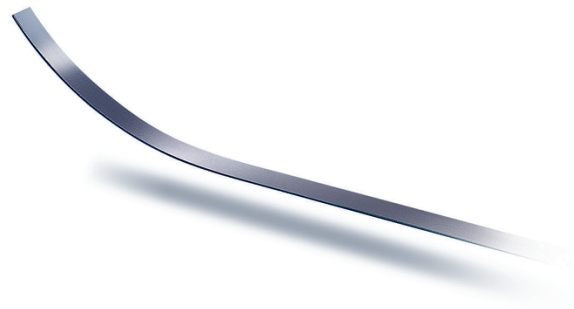


Profile

- Absolutely coded scale with 10 mm width
- Easy mounting, field-wireable



Mechanical data

Feature	Technical data	Additional information
Material	stainless steel	cover strip
Band width	10 mm	
Band thickness	1.4 mm	without cover strip
Mounting type	adhesive connection	double-sided tape premounted

System data

Feature	Technical data	Additional information
Measuring range	≤4000 mm	

Ambient conditions

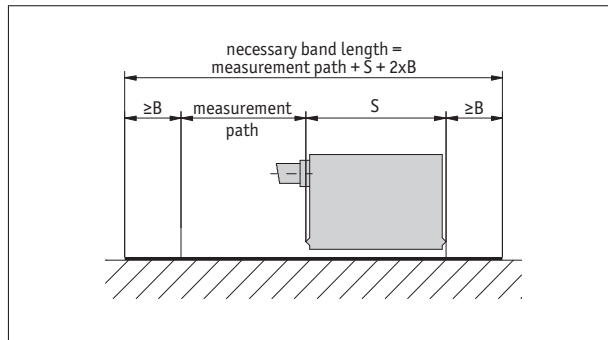
Feature	Technical data	Additional information
Ambient temperature	-20 ... 70 °C	
Storage temperature	-30 ... 80 °C	
Expansion coefficient	$(11 \pm 1) \times 10^{-6} / K$	
Relative humidity	100 %	condensation admissible

Order

Ordering information

The necessary tape length is calculated from:
Measured distance + sensor length "S" + (2 x forerun or overrun "B", resp.).

S	see the drawing of the sensor used
B	5 mm (forerun and overrun)



Symbolic representation

Ordering table

Feature	Ordering data	Specification	Additional information
Length	... A	00.10 ... 04.00 m, in intervals of 0.1 m	ordering detail, see "Ordering information"
Adhesive carrier tape	TM	with	
	TO	without	
Cover strip	AM	with	
	AO	without	

Order key

MBA110 - - -
A B C

Scope of delivery: MBA110