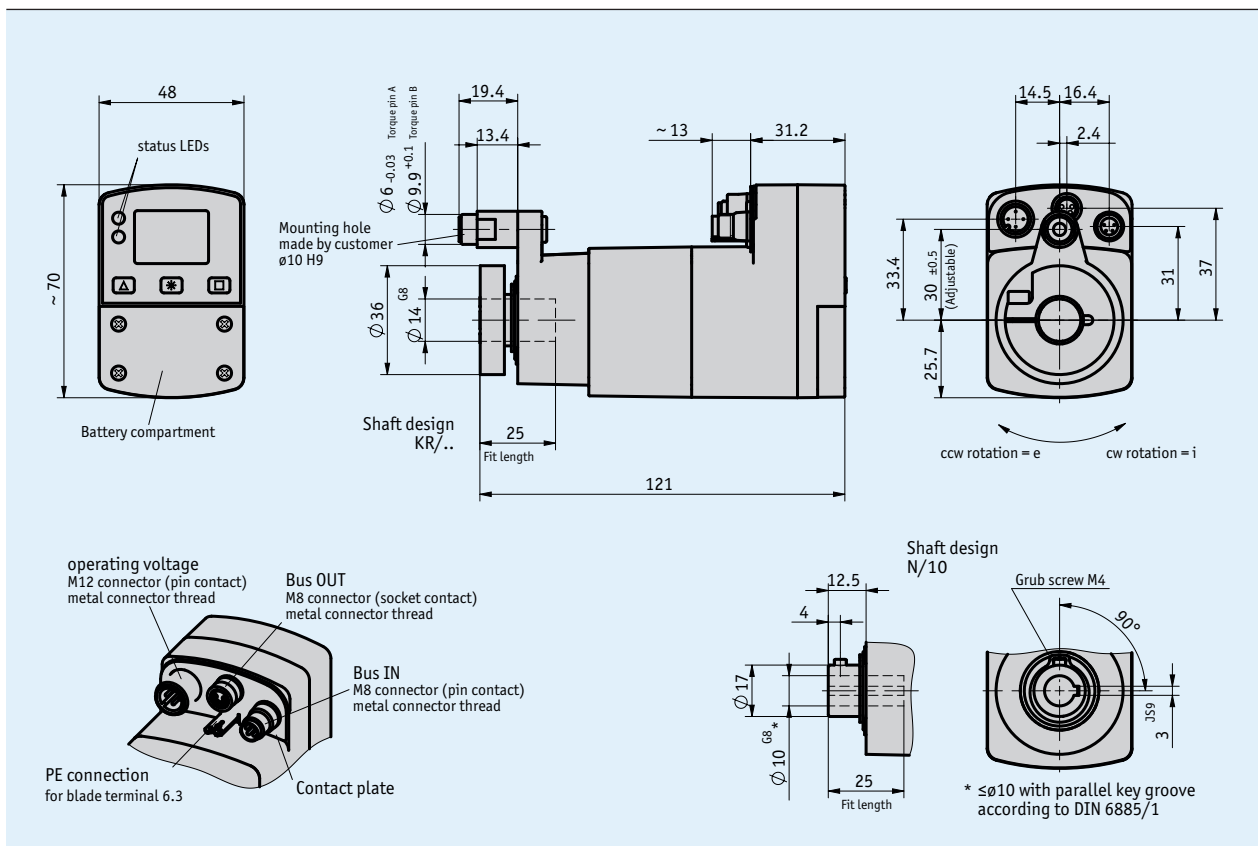


Profile

- easy mounting, no additional coupling needed
- stainless steel 14 mm hollow shaft, glass fibre reinforced casing
- brushless 24 VDC motor with long service life
- solid absolute sensor, magnetic sensing technology
- 2-line LCD for target and position value and operating keys
- 2 LEDs for user guidance
- integrated RS485 or CANopen interface
- Integrated positioning controller
- M8 + M12 component mounting technology
- Industry 4.0 ready



Mechanical data

Feature	Technical data	Additional information
Shaft	stainless steel	
Housing	glass-fiber reinforced plastic	
Clamping ring	stainless steel	
Torque pin	stainless steel	form A
	stainless steel	form B
Nominal torque/rated speed	3 Nm at 75 rpm $\pm 10\%$	i = 66
	5 Nm at 50 rpm $\pm 10\%$	i = 98
Operating mode	Aussetzbetrieb S3: 25 % ED, 10 min.	EN 60034-1
Weight	~0.45 kg	

Electrical data

Feature	Technical data	Additional information
Operating voltage	24 V DC $\pm 10\%$	reverse polarity protected, output stage
	24 V DC $\pm 10\%$	reverse polarity protected, control
Power input	≤ 58 W	output stage
	≤ 1.6 W	control
Battery	CR2477N, 3 V lithium, 950 mAh	
Battery service life	~5 year(s)	depending on ambient conditions
Parameter storage	10^6 cycles	also applies to calibration operations
Rated current	2.2 A $\pm 10\%$	at max. admissible torque (output stage)
	< 60 mA $\pm 10\%$	at 24 V DC (control)
Display/display range	5-digit LCD 7-segment, ~7 mm height	decimal points, 2 rows, special characters
Special character	battery, direction arrows	
Status display	two LEDs	
Keys	parameterizing, resetting, inching, setpoint definition	
Bus connection	RS485, CANopen	no galvanic isolation
Type of connection	1x M12 plug connector (A-coded)	4-pole, 1x pin
	2x M8 plug connectors	4-pole, 1x socket, 1x pin
	grounding via flat connector 6.3 mm	

System data

Feature	Technical data	Additional information
Resolution	720 increments/revolution shaft	
Repeat accuracy	± 1 increment(s)	
Travel range	± 1980 revolution(s)	i = 66
	± 1300 revolution(s)	i = 98
Failure rate	31 year(s)	CAN, at 60° C (MTBF) according to SN29500
	31.3 year(s)	S3/09, at 60° C (MTBF) according to SN29500

Ambient conditions

Feature	Technical data	Additional information
Ambient temperature	0 ... 45 °C	
Storage temperature	-20 ... 60 °C	
Relative humidity		condensation inadmissible
EMC	EN 61800-3, second environment	interference resistance / immission
	EN 61800-3, C3	emitted interference / emission
Protection category	IP54, IP65	EN 60529, only with mating connector
Shock resistance	500 m/s ² , 11 ms	EN 60068-2-27
Vibration resistance	≤ 100 m/s ² , 5 ... 150 Hz	EN 60068-2-6

Pin assignment

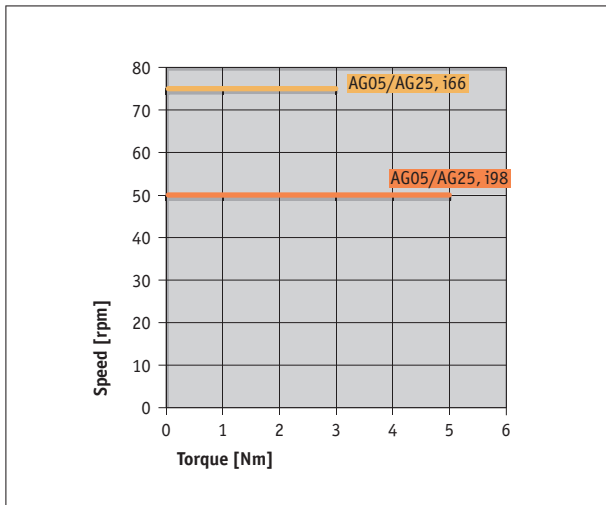
■ Operating voltage M12 (A-coded)

Signal	PIN
+24 V Power/output stage	1
+24 V Control	2
GND Power/output stage	3
GND Control	4

■ Interfaces M8

Signal	PIN
TxRx-/DÜB	1
TxRx+/DÜA	2
N.C.	3
GND	4

Performance curve



Industry 4.0

In most cases, data exchange with the actuators is limited to the exchange of process data. In addition to the process data, intelligent drives provide additional information that can be evaluated for condition monitoring up to predictive maintenance:

Process Data	Smart Value	Smart Function
Actual position	Temperature	Overload, ambient temperature
Target position	Current	Torque, overload
Speed	Voltage load Voltage control	Voltage drop, line break
	On/Off time	Operating time
	Battery voltage	Battery change planning

Order

Ordering table

Feature	Ordering data	Specification	Additional information
Gear ratio	66	i = 66	
	98	i = 98	
Protection category	IP54	IP54	
	IP65	IP65	
Shaft design/diameter	KR/14	clamping ring ø14 mm	
	N/10	keyway, ø10 mm	
Torque pin	A	bolt, ø6 mm	
	B	bolt, ø10 mm	
Interface/protocol	S3/09	RS485 / SIKONETZ5	
	CAN	CANopen	

Order key



Scope of delivery: AG05 Fieldbus, Quick Start Guide

Accessories you can find:

angular gear WG05

www.siko-global.com

Cable extension KV04S1

www.siko-global.com

Cable extension KV04S2

www.siko-global.com

Easy Touch Control ETC5000

www.siko-global.com

Programming software ProTool DL

www.siko-global.com

Mating Connector Overview

www.siko-global.com

Mating connector, Fieldbus IN, 4-pole, socket

Order key 84209

Mating connector, Fieldbus OUT, 4-pole, pin

Order key 84210

Mating connector, operating voltage, 4-pole, angle socket

Order key 83091

Bus terminating connector, Fieldbus, 4-pole, pin

Order key BAS-0005