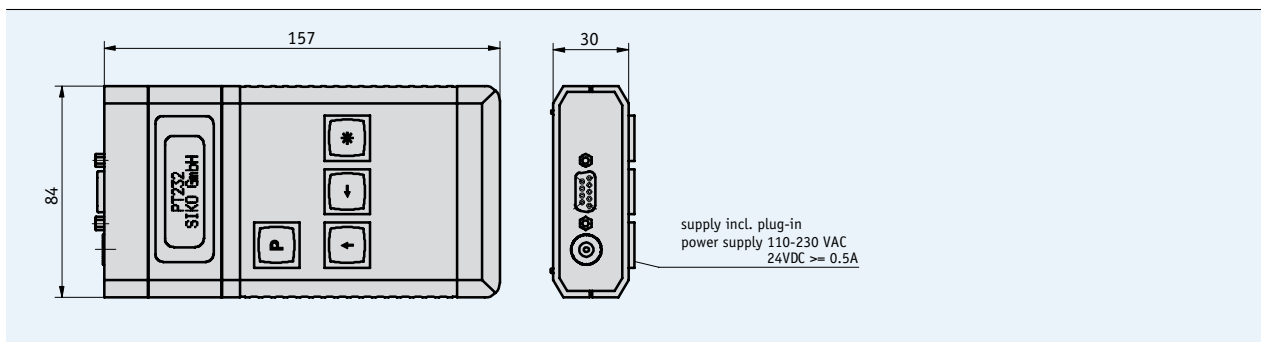


Profile

- Illuminated 2-line plain text LC display
- Easy handling thanks to a clear menu structure
- Unambiguous programming and reading of parameters
- Can be connected directly to the appropriate terminal device via KA232 cable adaptor



Mechanical data

Feature	Technical data	Additional information
Supply	24 V DC with inverse-polarity protection	round low-voltage connector (5.5 mm external/2.1 mm internal)
Display	LCD dot matrix, backlit	2x12 characters
Temperature range	0 ... +50 °C	

Pin assignment

■ **Supply**

Signal	PIN
+UB	internal
GND	external

■ **D-SUB**

Signal	PIN
+UB	1
RXD	2
TXD	3
GND	5
N.C.	4, 6-9

Order

■ **Order code**

PT232

Scope of delivery: PT232, User information, Connector power pack 110 ... 230 VAC



Accessories: KA232 Cable adaptor Page 45

Additional information: General information and areas of application Page 4 cont.