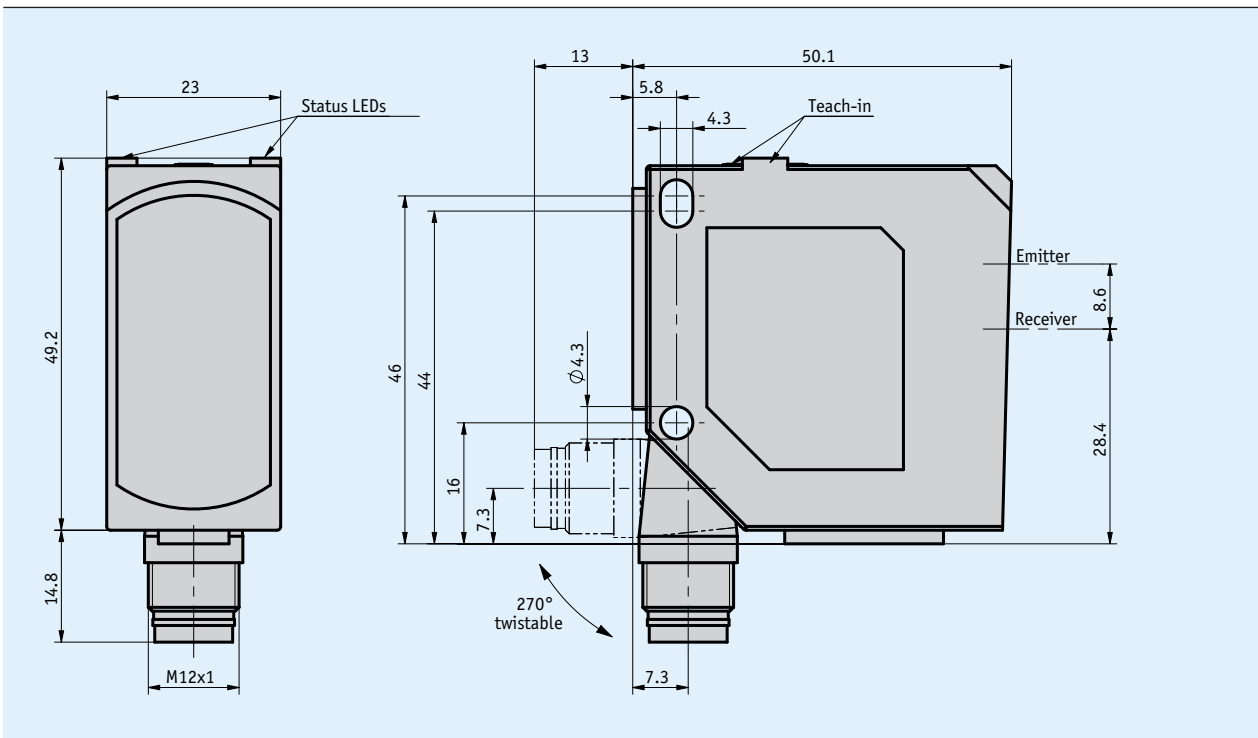


### Profile

- Compact design
- Capable of being integrated easily
- High flexibility owing to invertible analog characteristic (QA) and switching window function (Q)
- Easy commissioning and operation via external teach-in
- Well visible laser light spot of laser class 1 for precise orientation and full eye safety
- Analog output 0 ... 10 V or 4 ... 20 mA
- Measuring range up to 5000 mm



### Mechanical data

Feature	Technical data	Additional information
Housing	plastic, ABS	
Sight window	plastic, PMMA	
Weight	~0.125 kg	

## Electrical data

Feature	Technical data	Additional information
Operating voltage	18 ... 30 V DC	
No-load current	≤60 mA	
Analog outputs	4 ... 20 mA	≤500 Ω
	0 ... 10 V	≥4 kΩ
Output current	≤100 mA	
Switching hysteresis	40 mm	
Switching frequency	≤250 Hz	ti/tp 1:1
Linearity	±30 mm	
Temperature drift	<0.1 %/K	
Switching outputs	PNP	Auto-detect
	NPN	Auto-detect
Light type	0.65 μm	laser, red
Laser class	1	EN 60825-1:2008-5
Warm-up time	20 min	
Cycle time	2 ms	
Starting time	<5 s	
Settling time	0.002 s	
Type of connection	M12x plug connector	5-pole, pin

## System data

Feature	Technical data	Additional information
Resolution	<5 mm (12-bit)	
Repeat accuracy	1.2 mm	90 % Remission

## Ambient conditions

Feature	Technical data	Additional information
Ambient temperature	-40 ... 60 °C	
Storage temperature	-40 ... 80 °C	
EMC		EN 60947-5-2
Protection category	IP67, IP69K	
Shock resistance	300 m/s <sup>2</sup> , 11 ms	EN 60068-2-27
Vibration resistance	2 mm, 10 ... 55 Hz	EN 60068-2-6

## Order

### Ordering table

Feature	Ordering data	Specification	Additional information
Output	0/10V 4/20mA	A	

### Order key

LT5000 -

*Scope of delivery: LT5000, Mounting instructions*