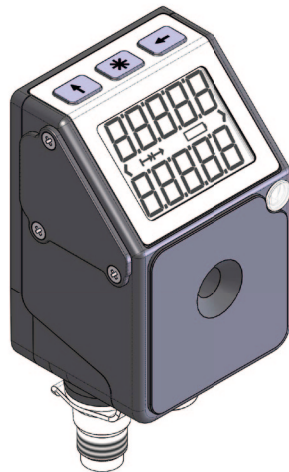


Remote Display AP24



Features:

- For tool change and setpoint setting
- Remote display without actual value measurement
- Control key for acknowledging
- Integrated bus interface (RS485)
- Two-line LCD display
- User guidance via bicolour LED
- M8 plug-in connector

SIKO GmbH

Address
 Weihermattenweg 2
 79256 Buchenbach

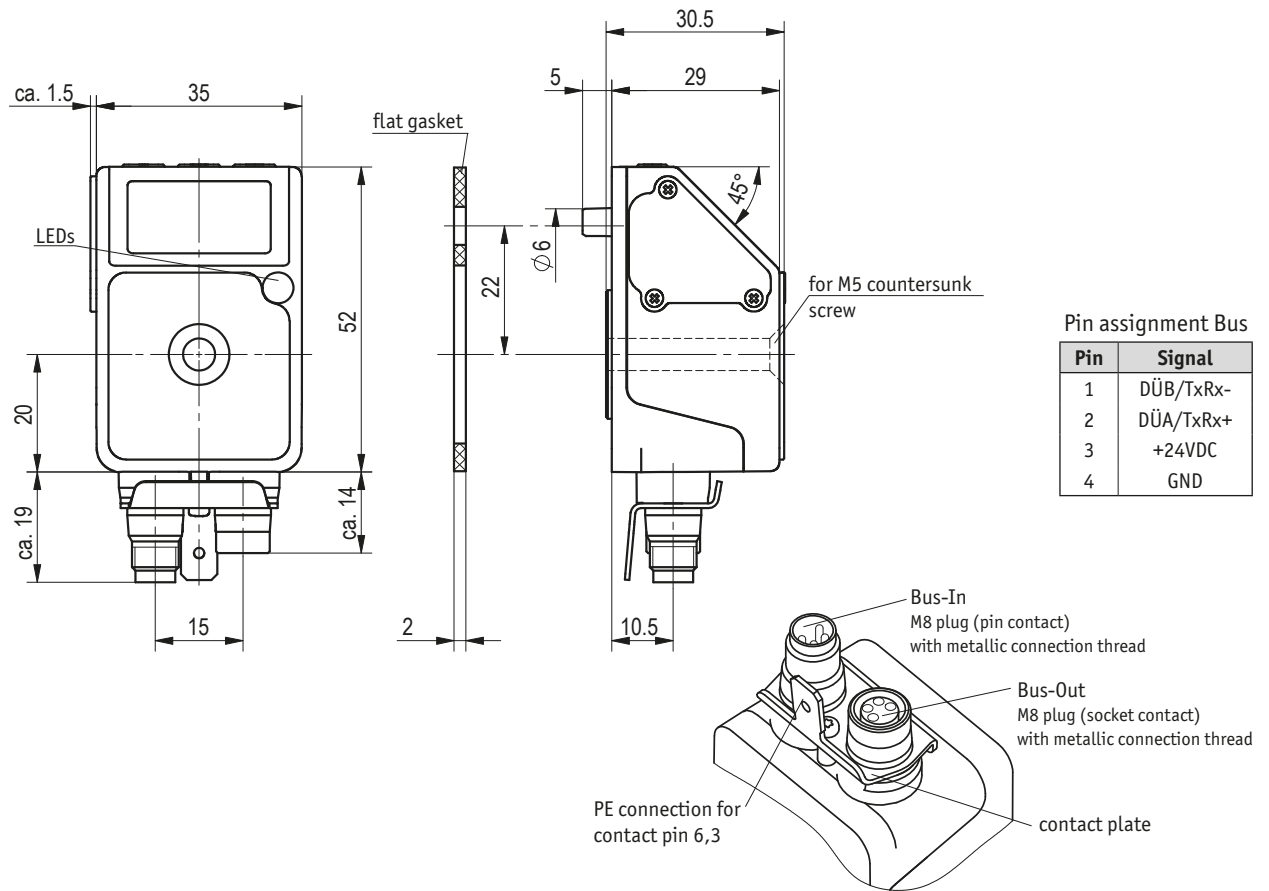
Telephone
 +49 7661 394-0
Fax
 +49 7661 394-388

eMail
 info@siko.de
Internet
 www.siko.de

Features	Order text	Additional information
Interface/protocol	S3/00 A RS485 / SIKONETZ3	
Protection	IP54 B IP65	standard
Software	S C	standard

Your ordering: - - -

Remote Display AP24



Pin assignment Bus

Pin	Signal
1	DÜB/TxRx-
2	DÜA/TxRx+
3	+24VDC
4	GND

Technical data

Mechanical data:

Housing	plastic, reinforced
Housing color	black, RAL 9005

Electrical data:

Operating voltage	24 V DC ±20 %
Power consumption	~20 mA
Connection	2 x M8 connector earthing by contact pin 6,3 mm
Bus connection	RS485
Display	5 digits LCD 7-segment, ~7 mm height
Special signs	left arrow, right arrow, incremental measurement
Signal display	2-colour LED (red / green)
Keys	acknowledgement, parameterization

Ambient conditions:

Operating temperature	0 ... 60 °C
Storage temperature	-20 ... +80 °C
Relative humidity	condensation not permitted
Protection category	IP54, IP65

Additional information

metallic connector thread
if operated with LEDs, plus ~3 mA per LED
4 poles, 1x socket, 1x pin connector
no galvanic isolation
decimal points, two lines, special signs
programmable position status
EN 60529, only with mating connectors

Accessory

BAS-0005	bus termination connector	
KV04S1	cable extension	
84209	mating connector, 4 pin socket	M8 can be shielded
84210	mating connector, 4 pin plug	M8 can be shielded