
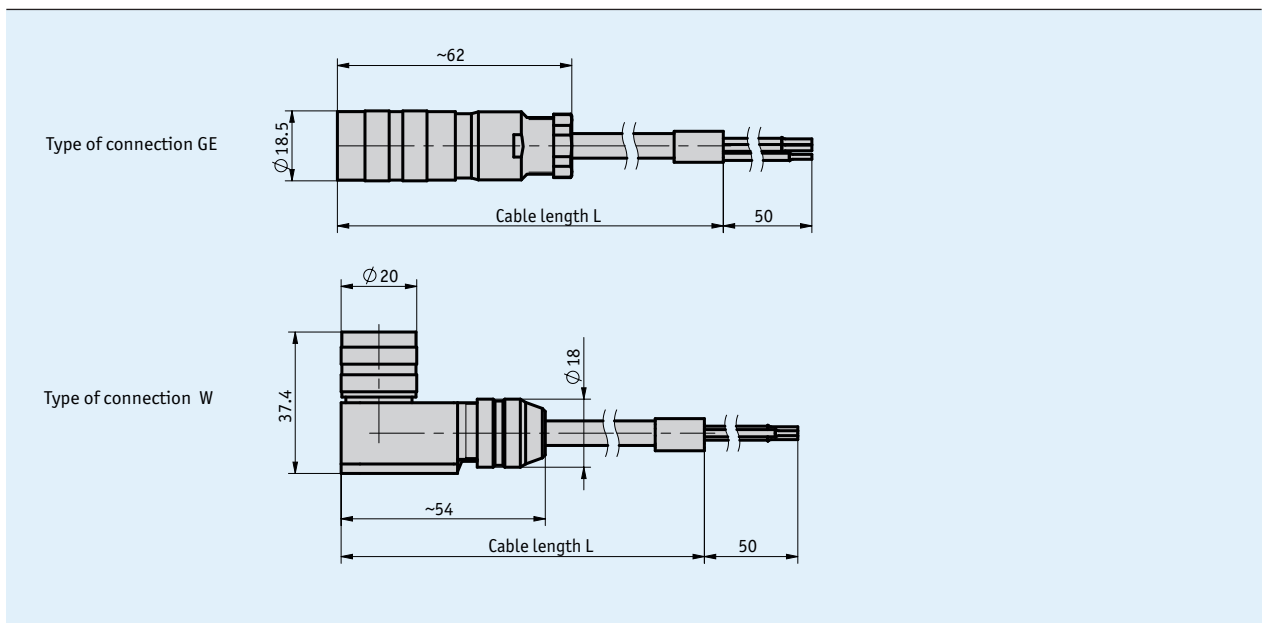
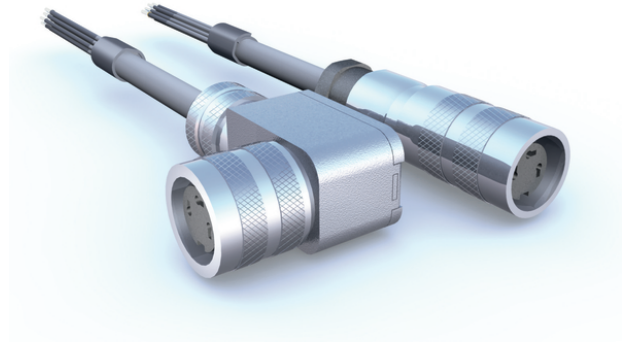


Profile

- Ready-to-use cable connection
- Cable lengths up to 10 m
- Connection technology M16, 3-pole

 *Voltage drop should be envisaged with increasing cable length. This should be taken into account for the electrical design.*



Mechanical data

Feature	Technical data	Additional information
Cable sheath	PUR	3x 0.75 mm ² , $\varnothing 7.5$ mm

Ambient conditions

Feature	Technical data	Additional information
Ambient temperature	-30 ... 100 °C	

Pin assignment

- KV03S1

Cable number	PIN
1 (black)	1
2 (black)	2
3 (black)	3

Order

Ordering table

Feature	Ordering data	Specification	Additional information
Type of connection	GE	straight connector	
	W	right angle plug	
Cable length	...	01.0 ... 10.0 m, in steps of 1 m	

Order key

KV03S1 - -

Scope of delivery: KV03S1