
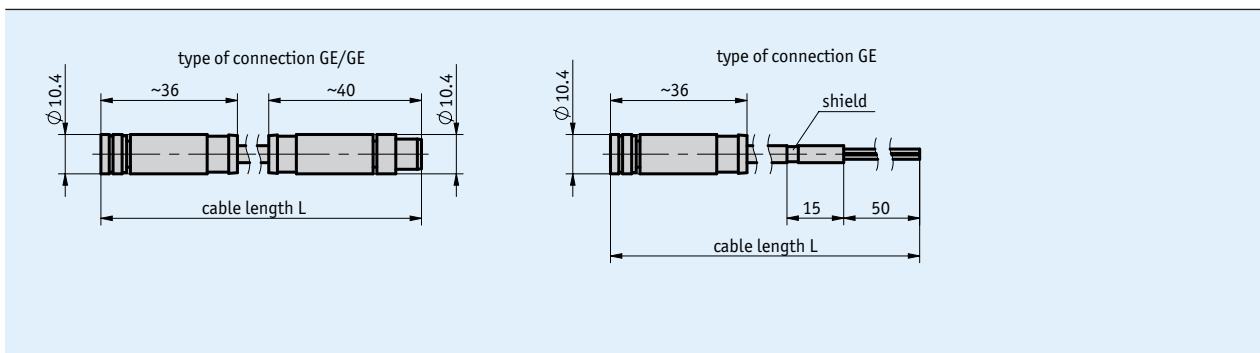
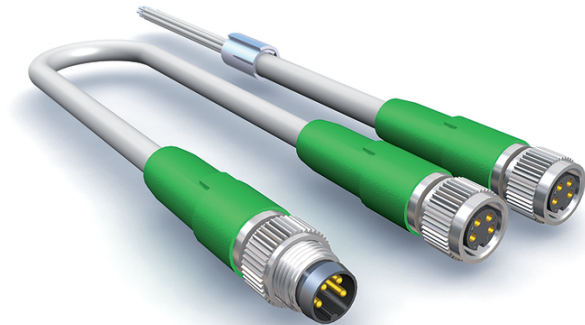


### Profile

- Ready-to-use cable connection
- Cable lengths up to 10 m
- Connection technology M8, 4-pole

 *Voltage drop should be envisaged with increasing cable length. This should be taken into account for the electrical design.*



### Mechanical data

Feature	Technical data	Additional information
Cable sheath	PUR	ø4.5 mm, 4x 0.205 mm <sup>2</sup> , screened
Cable bending radius	≥54 mm	static
	≥67.5 mm	dynamic

### Ambient conditions

Feature	Technical data	Additional information
Ambient temperature	-25 ... 80 °C	

### Pin assignment

#### ■ KV04S1

Cable color	PIN
brown	1
white	2
blue	3
black	4

## Order

### Ordering table

Feature	Ordering data	Specification	Additional information
Type of connection	GE	straight connector	only with cable length 03.0 or 10.0 m
	GE/GE	2x straight connector	
Cable length	...	00.5, 01.0, 03.0, 05.0, 10.0 m	
		others on request	

### Order key

KV04S1 -  -

Scope of delivery: KV04S1