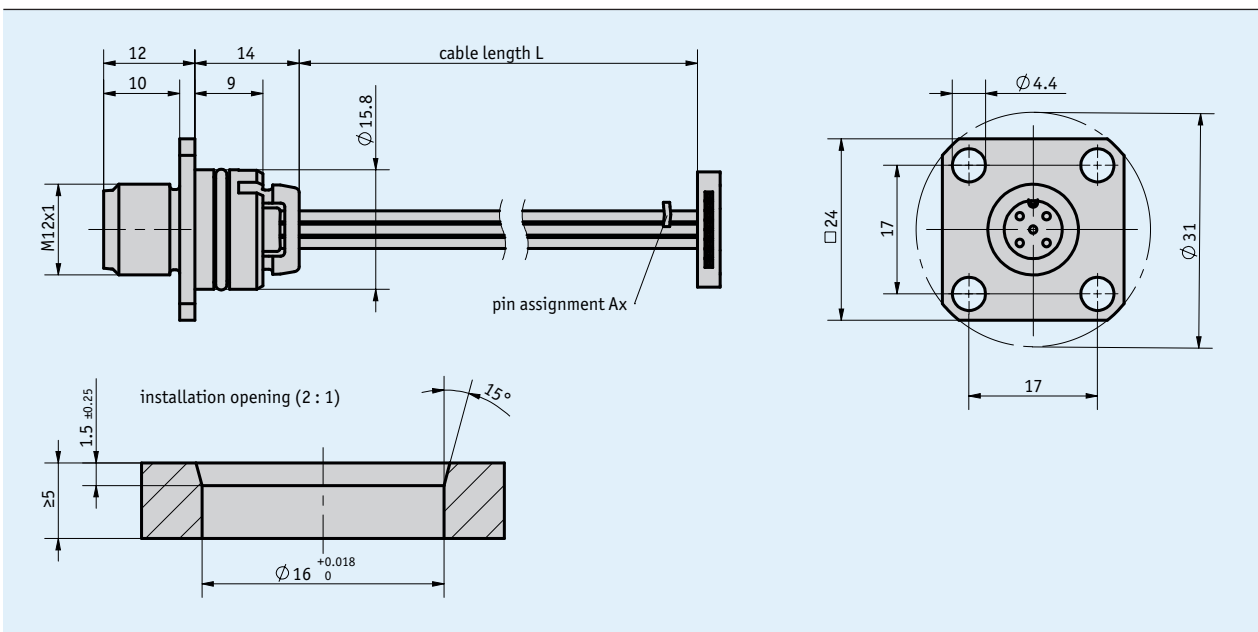
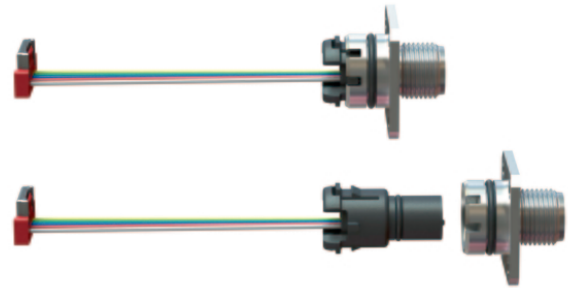


### Profile

- Connector system for SGH wire-actuated encoders
- Time-saving, faultless and easy mounting
- IP6K9K protection category
- Broad temperature range -40 °C ... +105 °C
- Connection technology M12 (A-coded), 5-pole



### Mechanical data

Feature	Technical data	Additional information
Housing	Brass, nickel-plated	CuZn
	Rustproof stainless steel	V4A, 1.4401 not coated
Cable sheath	ETFE	5x 0.17 mm <sup>2</sup> , 5x ø1.03 mm

### Ambient conditions

Feature	Technical data	Additional information
Ambient temperature	-40 ... +105 °C	temperature range of the line (inactive)
Protection category	IP6K9K	ISO 20653, in the installed state with suitable mating connector

### Pin assignment

#### ■ Pin assignment A1

Analog signal	PIN
I <sub>OUT</sub> /U <sub>OUT</sub>	1
+UB	2
GND	3
Limit 1	4
Limit 2	5

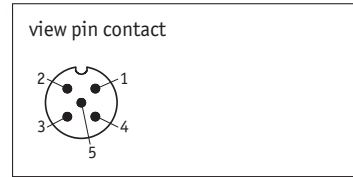
CANopen, SAE J1939 signal	PIN
CAN_GND	1
+UB	2
GND	3
CAN_H	4
CAN_L	5

#### ■ Pin assignment A2

Analog signal	PIN
+UB	1
Limit 1	2
GND	3
I <sub>OUT</sub> /U <sub>OUT</sub>	4
Limit 2	5

CANopen, SAE J1939 signal	PIN
+UB	1
CAN_H	2
GND	3
CAN_GND	4
CAN_L	5

#### ■ Pin assignment A1 and A2



### Order

#### ■ Ordering table

Feature	Ordering data	Specification	Additional information
Pin assignment	A1	cf. "Connection assignment" table	
	A2	cf. "Connection assignment" table	
Cable length	...	06.5, 20.0, 30.0, 40.0 in cm	
Housing	CuZn	nickel-plated brass	
	V4A	stainless steel	

#### ■ Order key



Scope of delivery: KV1H