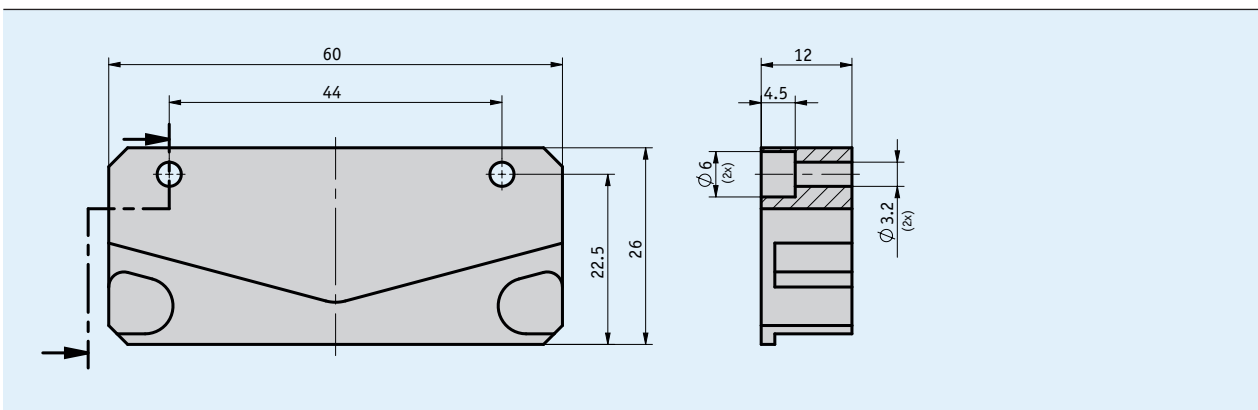
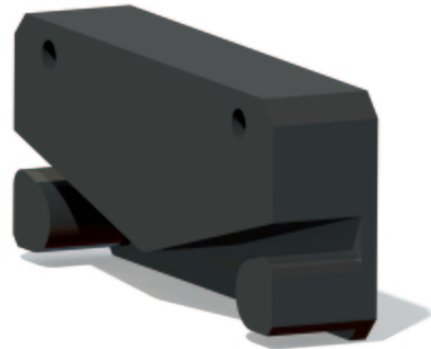


Profile

- Mounting aid for incremental magnetic tapes with 10 mm width
- Easy mounting of the magnetic tapes
- Adjusted to the M, ZM, K sensor designs of the magnetic sensors
- Suitable for multiple use and easy integration into existing mounting processes



Mechanical data

| Feature | Technical data | Additional information |
|---------|----------------|------------------------|
| Housing | plastic, black | |

Order

- Order key

ZB3054

Scope of delivery: ZB3054