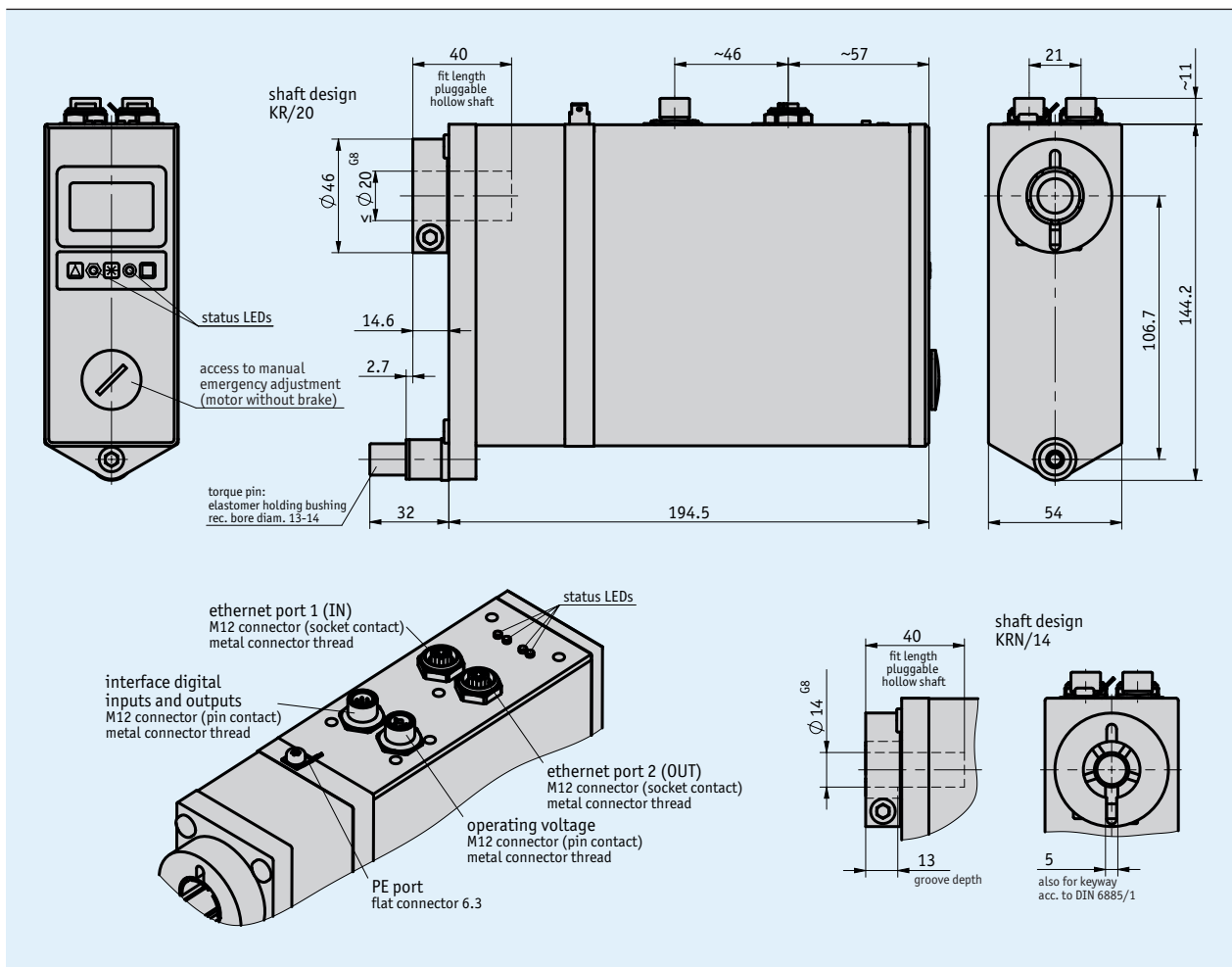


Profile

- Stainless steel hollow shaft up to max. $\varnothing 20$ mm, feather key groove at $\varnothing 14$ mm
- "manual" traveling without control unit by means of operator keys
- Brushless 160 W, 24 V DC motor with long service life
- Integrated absolute position encoder on the output shaft
- Integrated positioning controller
- Integrated spring-operated brake (option)
- 2-line LCD for target and position value and operating keys
- Integrated Industrial-Ethernet-Fieldbus
- M12 component mounting technology
- Manual emergency adjustment with motor without brake
- Industry 4.0 ready



Mechanical data

Feature	Technical data	Additional information
Shaft	stainless steel	
Housing	aluminum anodized	
Clamping ring	stainless steel	
Nominal torque/rated speed	6 Nm at 150 rpm ($\pm 10\%$)	i = 30.6
	10 Nm at 90 rpm ($\pm 10\%$)	i = 50
	14 Nm at 64 rpm ($\pm 10\%$)	i = 70.8
Operating mode	S3 intermittent duty: 25 % DC, 10 min.	EN 60034-1
Brake momentum	brake-induced stop momentum corresponds at least to the nominal torques of the individual transmissions.	at ambient temperature = 20 °C
Weight	~3.2 kg	

Electrical data

Feature	Technical data	Additional information
Operating voltage	24 V DC $\pm 10\%$	reverse polarity protected, output stage + control unit
Power input	~160 W	
Parameter storage	10 ⁶ cycles	also applies to calibration operations
Rated current	6 A $\pm 5\%$	at rated torque/speed (output stage)
No-load current	350 mA $\pm 20\%$	(with transmission)
Display/display range	6-digit LCD 14-segment, ~8 mm height	decimal points, 2 lines, special characters (LED backlit red/white)
Status display	6 LEDs	
Keys	configuring, inching operation, setting of the IP address	
Bus connection	EIP-EtherNet/IP EPN-PROFINET ECT-EtherCAT EPL-POWERLINK	
Type of connection	1x M12 plug connector (A-coded)	8-pole, 1x pin
	1x M12 plug connector (T-coded)	4-pole, 1x pin
	2x M12 plug connectors (D-coded)	4-pole, 2x socket
	grounding via flat connector 6.3 mm	

System data

Feature	Technical data	Additional information
Resolution	1024 steps/revolution shaft	singleturn / 10 bit
Travel range	4096 revolution(s)	12 bit multiturn
Failure rate	27.5 year(s)	at 60° C (MTBF) according to SN29500
Approval	UL	UL 508, UL 2011, C22.2 No. 14-18, File No. E502992

Ambient conditions

Feature	Technical data	Additional information
Ambient temperature	0 ... 45 °C	
Storage temperature	-20 ... 80 °C	
Relative humidity		condensation inadmissible
EMC	EN 61800-3, second environment	interference resistance / immission
	EN 61800-3, C2	emitted interference / emission
Protection category	IP54, IP65	EN 60529, with mating connectors mounted (degree of protection not tested by UL)
Shock resistance	500 m/s ² , 11 ms	EN 60068-2-27, half-sine, 3 axes (+/-), each 3 shocks
Vibration resistance	≤100 m/s ² , 10 ... 55 Hz	EN 60068-2-6, 3 axes, each 10 cycles

Pin assignment

■ EtherCAT, EtherNet/IP, POWERLINK, PROFINET

Signal	PIN
Tx+	1
Rx+	2
Tx-	3
Rx-	4

■ Digital inputs / outputs

Signal	PIN
Input 1	1
Input 2	2
Input 3	3
Input 4	4
Output 1	5
RXD	6
TXD	7
SGND*	8

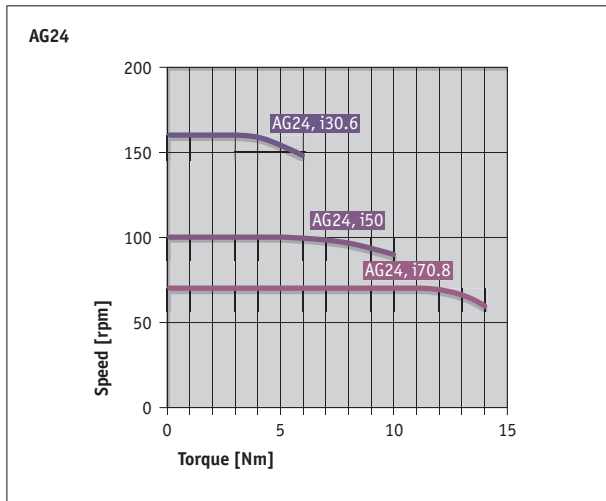
* internally connected with GND of operating voltage

■ Operating voltage (output stage / control)

Signal	PIN
+UB (output stage)	1
+UB (control)	2
GND (output stage)*	3
GND (control)*	4

* internally connected with SGND

Performance curve



Industry 4.0

In most cases, data exchange with the actuators is limited to the exchange of process data. In addition to the process data, intelligent drives provide additional information that can be evaluated for condition monitoring up to predictive maintenance:

Process Data	Smart Value	Smart Function
Actual position	Temperature	Overload, ambient temperature
Target position	Current	Torque, overload
Speed	Voltage load Voltage control	Voltage drop, line break
	On/Off time	Operating time
		Web server (EPN, EIP)

Order

Ordering table

Feature	Ordering data	Specification	Additional information
Gear ratio	70.8	i = 70.8	
	50	i = 50	
	30.6	i = 30.6	
		others on request	
Motor/brake	160W/MB	160 W EC motor with brake	
	160W/OB	160 W EC motor without brake	
Protection category	IP54	IP54	
	IP65	IP65	
Shaft design/diameter	KR/20	Clamping ring, ø20 mm	
	KRN/14	Clamping ring and feather key groove, ø14 mm	
		others on request	
Interface/protocol	EIP	EtherNet/IP	
	EPN	PROFINET	
	ECT	EtherCAT	
	EPL	POWERLINK	

Order key



Scope of delivery: AG24 Fieldbus/IE, Quick Start Guide

Accessories:

Cable extension KV08S2

www.siko-global.com

Cable extension KV04S4

www.siko-global.com

Programming software ProTool DL

www.siko-global.com

Mating Connector Overview

www.siko-global.com

Mating connector, digital inputs/outputs, 8-pole, socket

Order key 83525

Mating connector, digital inputs/outputs, 8-pole, angle socket

Order key 87599

Mating connector, port 1 + port 2, 4-pole, pin

Order key 87601

Mating connector, port 1 + port 2, 4-pole, angular pin

Order key 87600

Mating connector, operating voltage, 4-pole, socket

Order key 89115