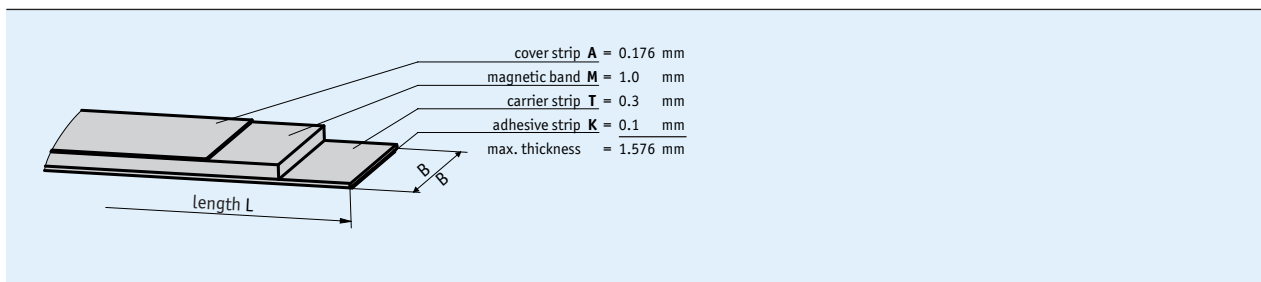
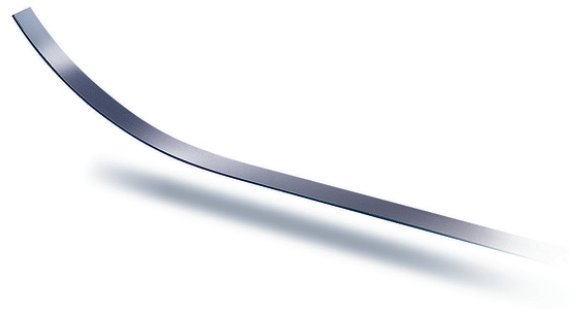


Profile

- Absolutely coded scale with 10 mm width
- Easy mounting, field-wireable
- Measuring range 0 ... 16 m



Mechanical data

Feature	Technical data	Additional information
Material	stainless steel	cover strip
Band width	10 mm	
Band thickness	1.4 mm	without cover strip
Mounting type	adhesive connection	Premounted double-sided tape

System data

Feature	Technical data	Additional information
Pole length	2 mm	incremental
	4 mm	absolute
Linearity deviation	±30 µm	
Measuring range	≤16000 mm	

Ambient conditions

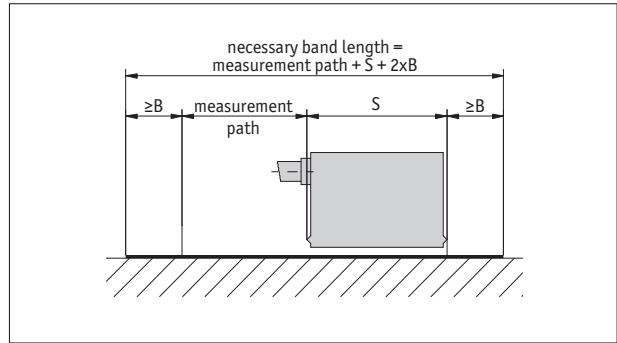
Feature	Technical data	Additional information
Ambient temperature	-40 ... 100 °C	
Storage temperature	-40 ... 100 °C	
Expansion coefficient	$(11 \pm 1) \times 10^{-6} / K$	steel
Relative humidity	100 %	condensation admissible

Order

■ **Ordering information**

The necessary tape length is calculated from:
measured distance + sensor length "S" + (2 x forerun or
overrun "B", resp.).

S	Cf. drawing of sensor used
B	5 mm (forerun and overrun)

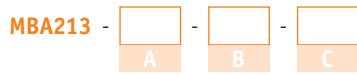


Symbolic display

■ **Ordering table**

Feature	Ordering data	Specification	Additional information
Length	... A	000.20 ... 100.00 m, in intervals of 0.1 m	
Adhesive carrier tape	TM	with	
	TO	without	
Cover strip	AM	with	
	AO	without	

■ **Order key**



Scope of delivery: MBA213