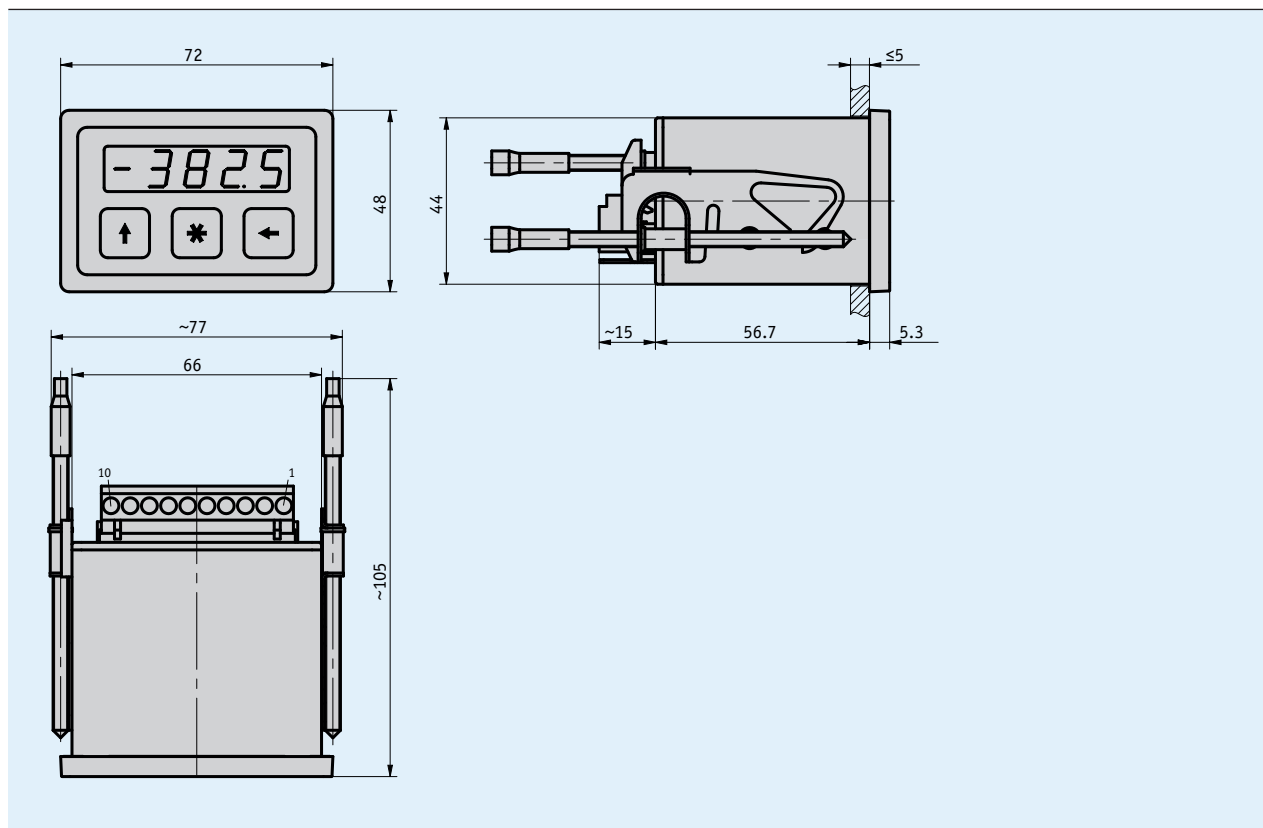


### Profile

- Incremental, length, angle, rotational speed or number of pieces measurement
- LED display (1 line of 5 digits)
- Inputs for incremental sensors, length and angle measurement, rotational speed or number of pieces
- Free programming via front keyboard
- Incremental measurement function (operating mode I), actual value memory (operating modes I and S)
- With reference connection
- Programming enabled via external input (keyswitch)
- Compact design



### Mechanical data

Feature	Technical data	Additional information
Housing	plastic, with clamping straps	switchboard cutout 68 <sup>+0.7</sup> x 45 <sup>+0.6</sup> IEC 61554
Weight	~0.15 kg	

## Electrical data

Feature	Technical data	Additional information
Operating voltage	24 V DC ±20 %	
Current consumption	100 mA	at 24 V DC, without encoder
Encoder supply	24 V DC (200 mA) 5 V DC (100 mA)	
Encoder input frequency	25 kHz	with referencing ≤1 kHz
Encoder input	PP, OC, OE, TTL/5, TTL/24	
Pulse analysis	4-fold	
Display/display range	5-digit, LED 7-segment, ~10 mm height, red	-19999 ... 99999
Keys	membrane keyboard with pressure point	
Counter capacity	2 <sup>23</sup> increments	
Type of connection	plug strip	10-pole

## Ambient conditions

Feature	Technical data	Additional information
Ambient temperature	0 ... 50 °C	
Storage temperature	-20 ... 85 °C	
Relative humidity		condensation inadmissible
EMC	EN 61000-6-2 EN 61000-6-4	interference resistance / immission emitted interference / emission
Protection category	IP40 whole device IP60 front with switchboard installation	EN 60529 EN 60529

## Pin assignment

Signal incremental	Signal speed	Signal quantity	PIN
+ Ub Encoder supply	+ Ub Encoder supply	+ Ub Encoder supply	1
A signal	A signal	A signal	2
B-Signal	nc	nc	3
index signal I/O	nc	nc	4
GND, Shield encoder supply	GND, Shield encoder supply	GND, Shield encoder supply	5
RFS	nc	reset	6
GND	GND	GND	7
configuration	configuration	configuration	8
L (+ Ub)	L (+ Ub)	L (+ Ub)	9
N	N	N	10

## Order

### Ordering table

Feature	Ordering data	Specification	Additional information
Operating mode	<b>I</b>	incremental measurement	
	<b>D</b>	speed measurement	
	<b>S</b>	piece number measurement	
Encoder input	<b>PP</b>	push-pull	
	<b>OC</b>	open collector	
	<b>OE</b>	open emitter 24 V	
	<b>TTL/5</b>	TTL 5 V	only I operating mode
	<b>TTL/24</b>	TTL 24 V	only I operating mode

### Order key

MA07/1 -  -

Scope of delivery: MA07/1, Mounting instructions