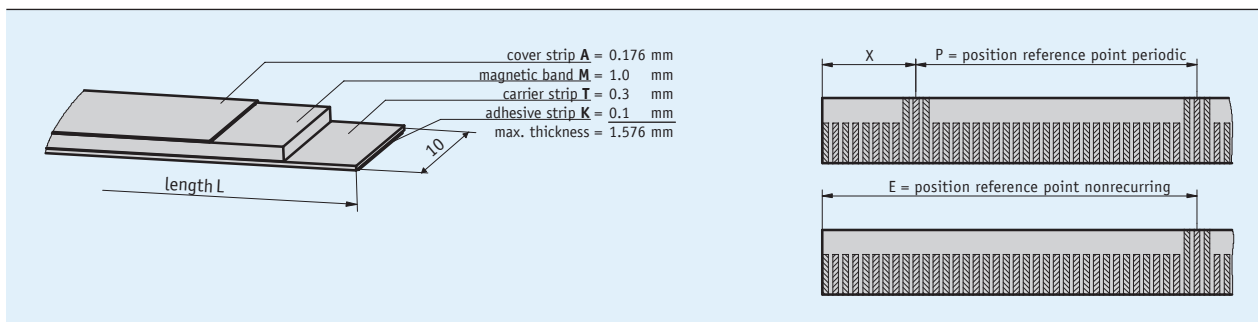
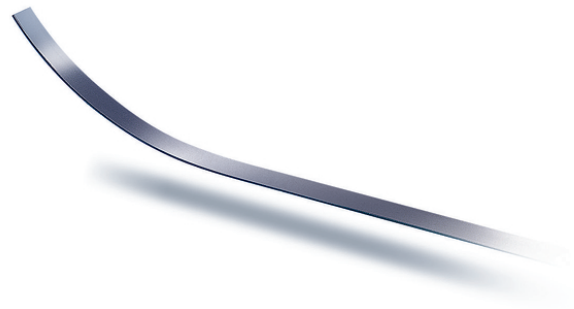


## Profile

- Easy adhesive mounting, self-assembly possible
- Reels up to 100 m available
- 1.6 mm pole length
- Linearity deviation up to  $\pm 15 \mu\text{m}$



## Mechanical data

Feature	Technical data	Additional information
Band width	10 mm	
Band thickness	1.4 mm	without cover strip
Mounting type	adhesive bond	double-sided tape premounted
Accuracy class	15 $\mu\text{m}$ or 25 $\mu\text{m}$	

### ■ Measurement table of reference points

Reference points [m]	
Fixed distance <b>X</b>	0.02
Periodic <b>P</b>	0.08, 0.16
Non-recurrent <b>E</b>	0.032, 0.16, 0.32

## System data

Feature	Technical data	Additional information
Pole length	1.6 mm	
Linearity deviation	$\pm 15 \mu\text{m}$ $\pm 25 \mu\text{m}$	at $T_U = 20^\circ \text{C}$ , up to 4 m at $T_U = 20^\circ \text{C}$ , roll goods up to 100 m
Measuring range	$\infty$	

## Ambient conditions

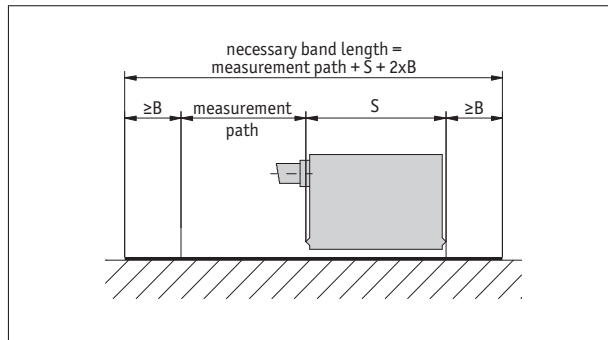
Feature	Technical data	Additional information
Ambient temperature	-40 ... 100 $^\circ\text{C}$	
Storage temperature	-40 ... 100 $^\circ\text{C}$	
Expansion coefficient	$(11 \pm 1) \times 10^{-6}/\text{K}$ $(16 \pm 1) \times 10^{-6}/\text{K}$	spring steel stainless steel
Relative humidity	100 %	condensation admissible

## Order

### Ordering information

The necessary tape length is calculated from:  
 Measured distance + sensor length "S" + (2 x forerun or overrun "B")

<b>S</b>	see the drawing of the sensor used
<b>B</b>	10 mm (forerun and overrun)



Symbolic representation

### Ordering table

Feature	Ordering data	Specification	Additional information
Length	... <b>A</b>	000.10 ... 100.00	in m
Accuracy class	15 <b>B</b>	15 µm	delivery length max. 4.0 m
	25 <b>B</b>	25 µm	delivery length max. 100 m
Material carrier tape	St <b>C</b>	steel	
	VA <b>C</b>	stainless steel	
Adhesive carrier tape	TM <b>D</b>	with	
	TO <b>D</b>	without	
Cover strip	AM <b>E</b>	with	
	AO <b>E</b>	without	
Reference point	O <b>F</b>	without	optional with flexible reference mark; see accessories
	E <b>F</b>	non-recurrent	
	P <b>F</b>	periodic	
Reference point position	... <b>G</b>	0.032, 0.16, 0.32 in m	indicate only if reference point E is chosen, ≤4.0 m
	... <b>G</b>	0.08, 0.16 in m	indicate only if reference point P is chosen, ≤4.0 m
	... <b>G</b>	others on request	

### Order key

MB160 -  -  -  -  -  -  -

Scope of delivery: MB160

Accessories:  
 Flexible reference mark 89976

on request