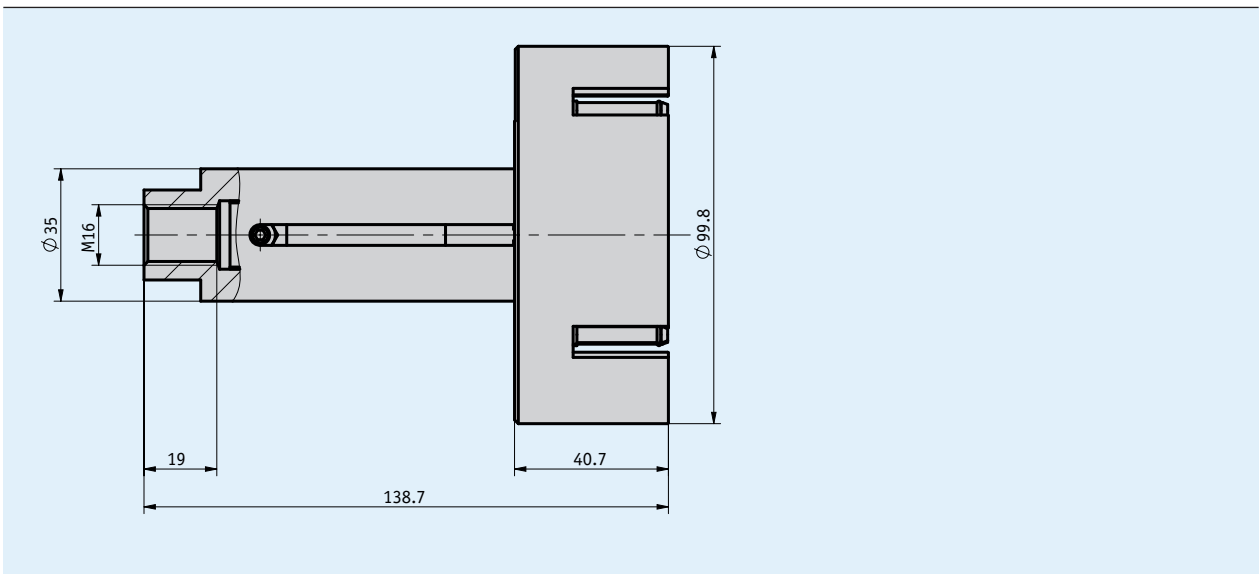
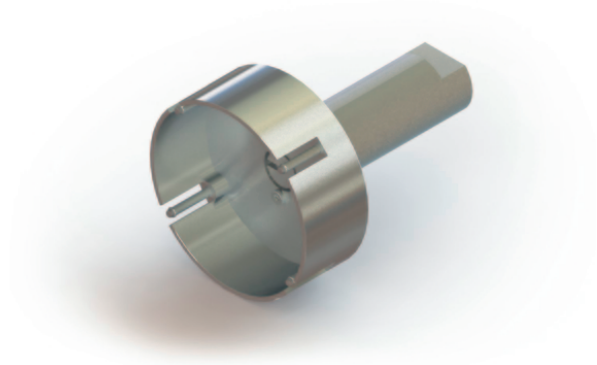


Profile

- Mounting aid for the SGH50 wire-actuated encoder
- For easy mounting of the SGH50 into welded cylinders
- Flexibly usable for any cylinder shape and cylinder stroke
- Suitable for multiple use and easy integration into existing mounting processes



Mechanical data

Feature	Technical data	Additional information
Housing	steel, aluminum	stainless receptacle, aluminum bell

Order

- Order key

ZB4006

Scope of delivery: ZB4006, Quick Start Guide