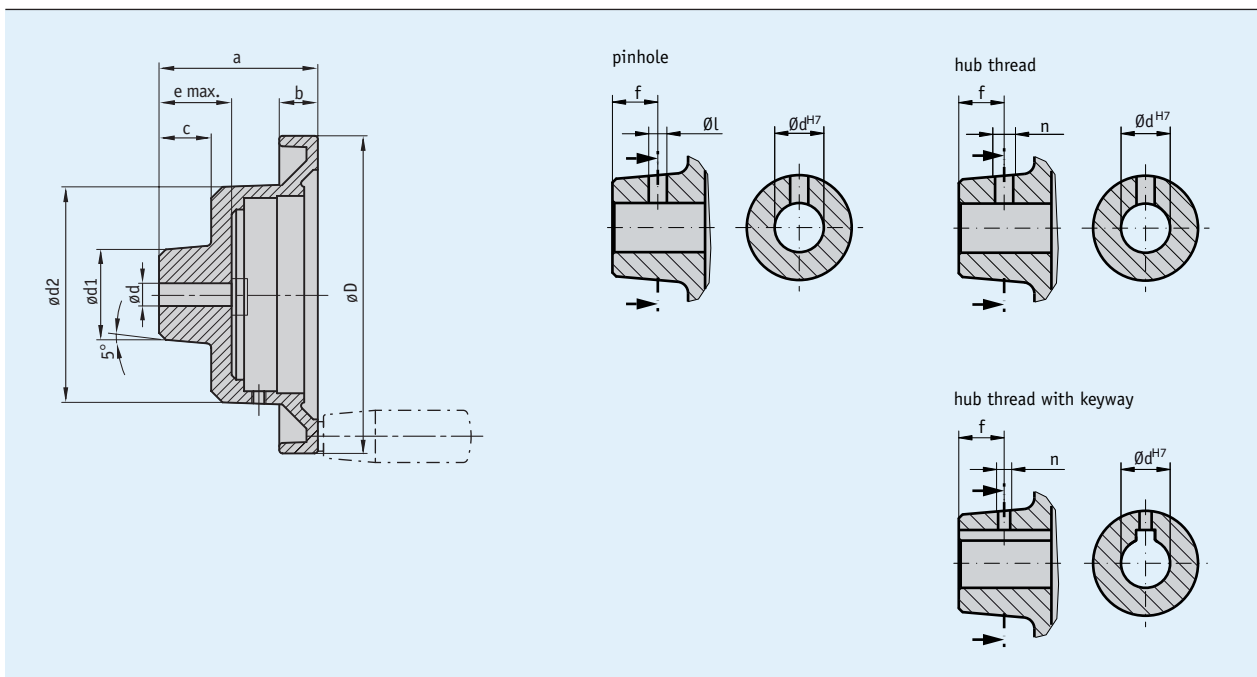


Profile

- Classical handwheel made of aluminum casting
- Plastic-coated or bright-finished surface
- Various hub versions
- Turning handle as an option (see accessories)



Mechanical data

Feature	Technical data	Additional information
Material	aluminum	
Weight	0.5 kg	HK12

Table of dimensions

Type	øD	ødv	ødx	ød1	ød2	a	b	c	e	GfG	Suitable for
HK12	120	6.8	25	40	95	64	15	23	30	M6	S80/1; SZ80/1

dv = d prebored; dx = d max.; GfG = Thread for handle

Special processing

Handwheel type	HK12						
Bore dH7	7, 8	9, 10	11, 12	13 ... 17	18 ... 21	22	23 ... 25
Groove width with keyway JS9		3	4	5	6	6	8
Pin hole	3.8/12	3.8/12	3.8/12	4.8/12	4.8/12	4.8/12	4.8/12
Hub thread without keyway JS9	M4/12	M4/12	M4/12	M6/12	M6/12	M6/12	M6/12
Hub thread with keyway JS9		M3/12	M3/12	M4/12	M5/12		

Texts highlighted in orange color are ordering features

Order

Ordering information

One or more system components are required:

Analog position indicator S80/1

www.siko-global.com

Analog position indicator SZ80/1

www.siko-global.com

Ordering table

Feature	Ordering data	Specification	Additional information
Surface	B	unpainted	
	C	plastic-coated, light gray hammertone	
	A	others on request	
Handle bore	0G	without handle drill hole	
	...	M6, M8 with handle drill hole or handle thread	see Table of dimensions; value GfG
Bore diameter	6.8	prebored	
	...	07 ... 25 mm, in steps of 1 mm	see Table of dimensions, maximum value ødx
Feather key groove	OP	without keyway	
	JS9	light seat	according to DIN 6885/1 T1
	P9	tight fit	according to DIN 6885/1 T1
Pinhole	OS	without pin hole	
	...	diameter "øl"/measure "f" (e.g. 3.8/12)	see table Special processing, depending on the handwheel type, only if keyway is "OP", only if hub thread is "ONG"
	E	others on request	
Hub thread	...	thread "n"/measure "f" (e.g. M4/12)	see table Special processing, depending on the handwheel type, only if pin hole is "OS"
	F	others on request	
	ONG	without hub thread	
Tapered hub	OAN	without turned hub	
	G	others on request	
Position indicator	PM	position indicator mounted	separate ordering of a position indicator required!
	PS	position indicator separate	separate ordering of a position indicator required!
H	H		

Order key



Scope of delivery: HK12

Accessories you can find:

- Handwheel holder BGF
- Handwheel holder BGD
- Handwheel holder UG
- Handwheel holder ZGD

- www.siko-global.com
- www.siko-global.com
- www.siko-global.com
- www.siko-global.com