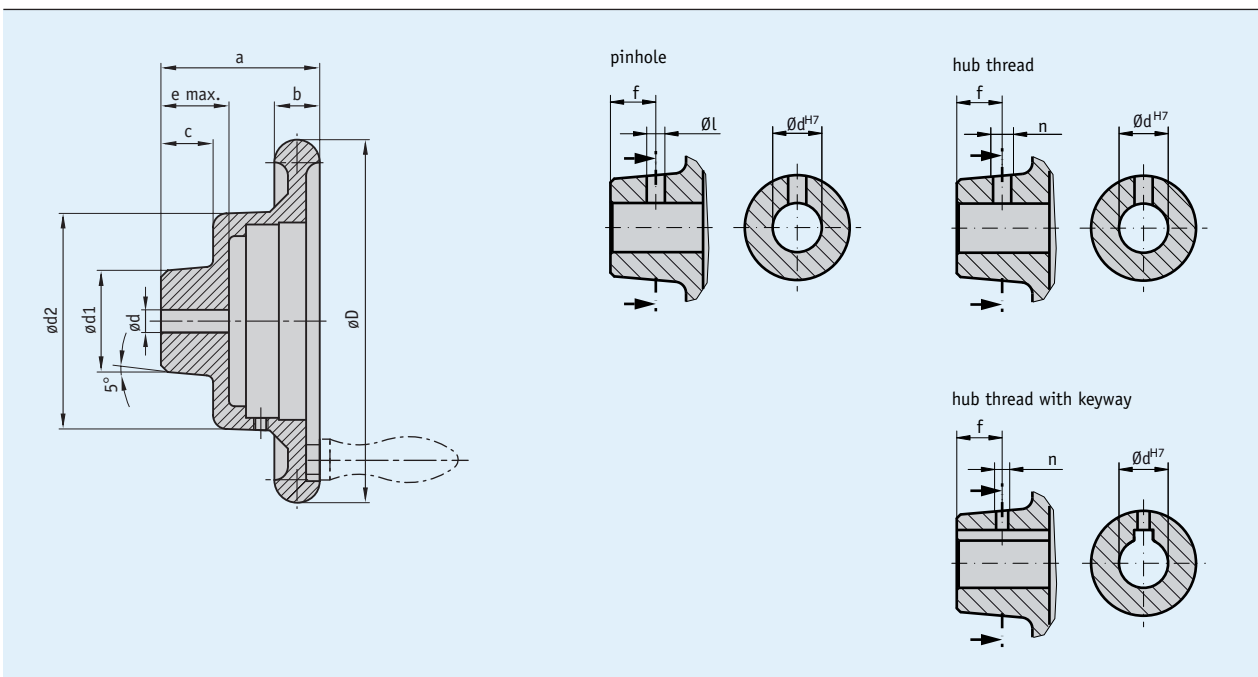


Profile

- Robust handwheel made of aluminum casting
- Rounded design with dirt corners minimized
- Plastic-coated or bright-finished surface
- Various hub versions
- Turning handle as an option (see accessories)



Mechanical data

Feature	Technical data	Additional information
Material	aluminum	
Weight	0.6 kg	HS14

Table of dimensions

Type	øD	ødv	ødx	ød1	ød2	a	b	c	e	GfG	Suitable for
HS14	140	6.8	20	32	95	70	18	23	29	M8	S80/1; SZ80/1

dv = d prebored; dx = d max.; GfG = Thread for handle

Handwheel type	HS14					
Bore dH7	7, 8	9, 10	11, 12	13 ... 17	18 ... 20	
Groove width with keyway JS9		3	4	5		
Pin hole	3.8/12	3.8/12	3.8/12	4.8/12	4.8/12	
Hub thread without keyway JS9	M4/12	M4/12	M4/12	M6/12	M6/12	
Hub thread with keyway JS9		M3/12	M3/12	M4/12	M4/12	

Texts highlighted in orange color are ordering features

Order

Ordering information

One or more system components are required:

Analog position indicator S80/1
Analog position indicator SZ80/1

www.siko-global.com
www.siko-global.com

Ordering table

Feature	Ordering data	Specification	Additional information
Surface	B	A unpainted	
	C	plastic-coated, light gray hammertone	
		others on request	
Handle bore	0G	B without handle drill hole	
	...	M8 with handle drill hole or handle thread	see Table of dimensions; value GfG
Bore diameter	6.8	C prebored	
	...	07 ... 20 mm, in steps of 1 mm	see Table of dimensions, maximum value ødx
Feather key groove	OP	D without keyway	
	JS9	light seat	according to DIN 6885/1 T1
	P9	tight fit	according to DIN 6885/1 T1
Pinhole	OS	E without pin hole	
	...	diameter "øL"/measure "f" (e.g. 3.8/12)	see table Special processing, depending on the handwheel type, only if keyway is "OP", only if hub thread is "ONG"
		others on request	
Hub thread	ONG	F without hub thread	
	...	thread "n"/measure "f" (e.g. M4/12)	see table Special processing, depending on the handwheel type, only if pin hole is "OS"
		others on request	
Tapered hub	OAN	G without turned hub	
		others on request	
Position indicator	PS	H position indicator mounted position indicator separate	separate ordering of a position indicator required! separate ordering of a position indicator required!

Order key

HS14 - [A] - [B] - [C] - [D] - [E] - [F] - [G] - OK - [H]

Scope of delivery: HS14

Accessories you can find:

Handwheel holder BGF www.siko-global.com
Handwheel holder BGD www.siko-global.com
Handwheel holder ZGD www.siko-global.com
Handwheel holder UG www.siko-global.com