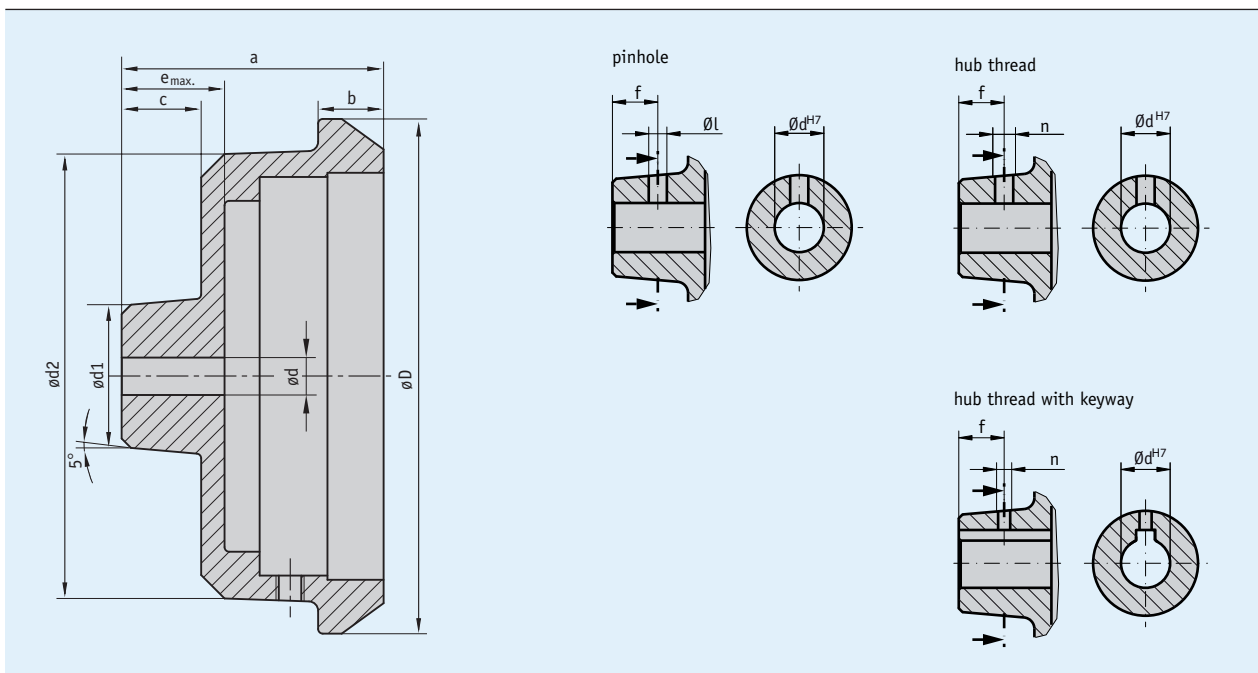


## Profile

- Plastic-coated or bright-finished surface
- Various hub versions



## Mechanical data

Feature	Technical data	Additional information
Material	aluminum	
Weight	0.2 kg	HST7

### Table of dimensions

Type	øD	ødv	ødx	ød1	ød2	a	b	c	e	Suitable for
HST7	78	5.8	20	32	60	50	20	15	20	S50/1

ødv = d prebored; ødx = d max.

### Special processing

Handwheel type	HST7				
Bore dH7	6 ... 8	9, 10	11, 12	13 ... 16	17 ... 20
Groove width with keyway JS9		3	4	5	
Pin hole	3.8/10	3.8/10	3.8/10	4.8/10	4.8/10
Hub thread without keyway JS9	M4/10	M4/10	M4/10	M6/10	M6/10
Hub thread with keyway JS9		M3/10	M3/10	M4/10	

Texts highlighted in orange color are ordering features

## Order

### Ordering information

One or more system components are required:

Analog position indicator S50/1

[www.siko-global.com](http://www.siko-global.com)

### Ordering table

Feature	Ordering data	Specification	Additional information
Surface	B	unpainted	
	CS	A plastic-coated, black matt	
		others on request	
Bore diameter	5.8	B prebored	
	...	06 ... 20 mm, in steps of 1 mm	see Table of dimensions, maximum value ødx
		others on request	
Feather key groove	OP	C without keyway	
	JS9	light seat	according to DIN 6885/1 T1
	P9	tight fit	according to DIN 6885/1 T1
Pinhole	OS	D without pin hole	
	...	diameter "ø"/measure "f" (e.g. 3.8/12)	see table Special processing, depending on the handwheel type, only if keyway is "OP", only if hub thread is "ONG"
		others on request	
Hub thread	ONG	E without hub thread	
	...	thread "n"/measure "f" (e.g. M4/12)	see table Special processing, depending on the handwheel type, only if pin hole is "OS"
		others on request	
Tapered hub	OAN	F without turned hub	
		others on request	
Position indicator	PM	G position indicator mounted	separate ordering of a position indicator required!
	PS	position indicator separate	separate ordering of a position indicator required!

### Order key

HST7 -  -  -  -  -  -  -

A      B      C      D      E      F      G

Scope of delivery: HST7

Accessories you can find:  
End Plate AD

[www.siko-global.com](http://www.siko-global.com)