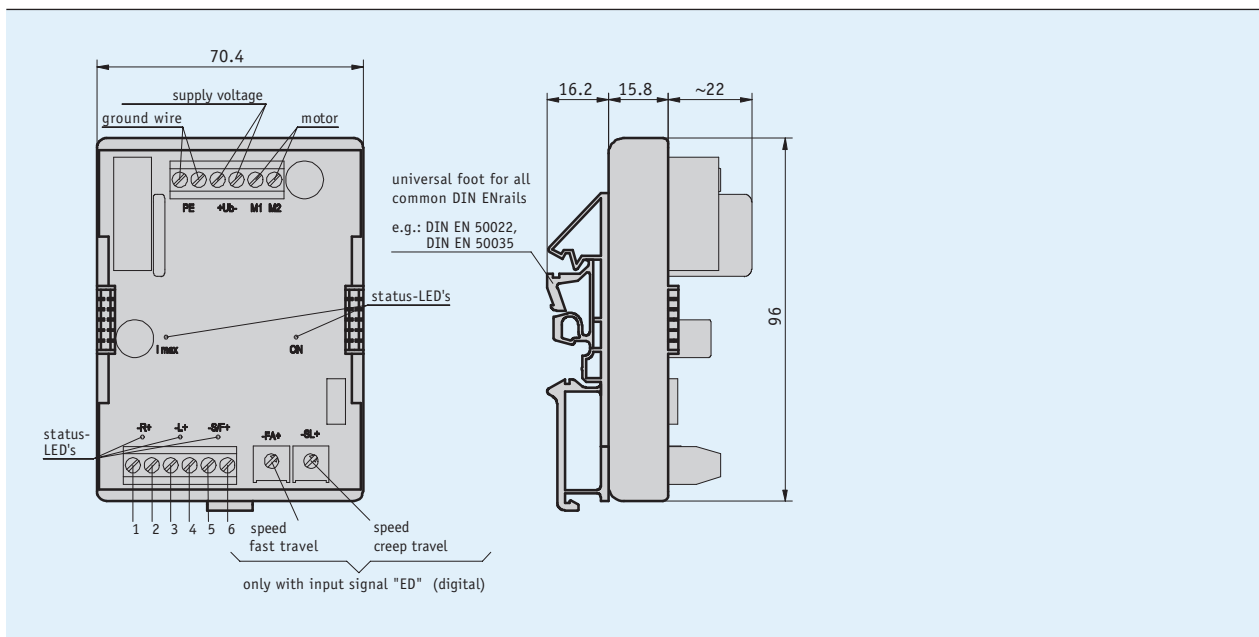


### Profile

- Easy mounting (top-hat rail)
- Variable control variants
- Use with different positioning controls
- Fast or creep motion continuously variable
- Pulse width modulation (PWM) for 24 V DC actuators



### Electrical data

Feature	Technical data	Additional information
Operating voltage	24 V DC $\pm 20\%$ (controlled)	with LED indicator, reverse polarity protected
Motor current	3/5/6 A ( $\leq 12$ A peak)	overcurrent protection with multifuse
Inputs	digital with LED indicator/ analog	
Analog inputs	0 ... 10 V -10 ... 10 V	impedance $> 1.3$ M $\Omega$ impedance $> 1.3$ M $\Omega$
Digital inputs	15 ... 30 V, typical 10 mA	
Status display	overcurrent protection, input state, operating voltage	
PWM (Pulse width modulation) output	$\sim 16$ kHz, stepless, 0 ... 100 %	soft start

### Ambient conditions

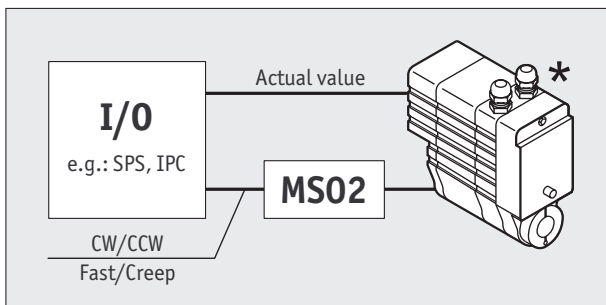
Feature	Technical data	Additional information
Ambient temperature	0 ... 50 °C	
Relative humidity	$\leq 95\%$	condensation inadmissible

## Pin assignment

### Terminal board

Digital	Analog unipolar	Analog bipolar	PIN
Clockwise ground	enable ground	enable ground	1
Clockwise plus	enable plus	enable plus	2
Counter-clockwise ground	cw/ccw ground	N.C.	3
Counter-clockwise plus	cw/ccw plus	N.C.	4
Fast/creep ground	analog ground	analog ground	5
Fast/creep plus	analog 0 ... +10 V	analog 0 ... +10 V	6

## Functional diagram



\* possible field of application with AG01, AG02

## Order

### Ordering table

Feature	Ordering data	Specification	Additional information	
Load current	3A	A 3 A	others on request, max. 12 A	
	5A			5 A
	6A			6 A
Input signal	ED	B digital		
	EUP		analog unipolar	0 ... +10 V, impedance >1.3 MΩ
	EBP		analog bipolar	-10 ... +10 V, Impedanz >1.3 MΩ

### Order key



Scope of delivery: MS02, Mounting instructions