

Accessories RotoLine

■ **Matrix for cable extension**


Cable extensions are available for a range of RotoLine encoders. The corresponding cable extensions depend on the combination of the interface or output circuits (▶) and the connection type (⊙) of the encoder. Corresponding connection assignments are shown on the data sheets of the cable extensions (refer to matrix).

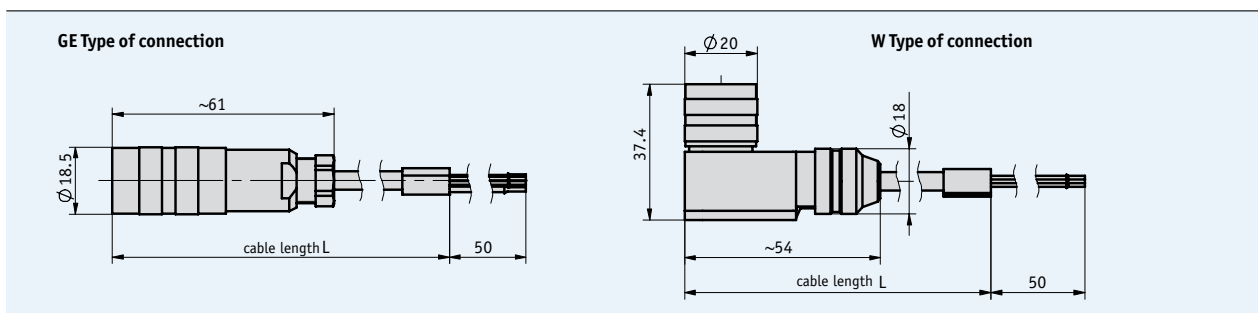
| | | | Magnetic rotary encoders | | | | | Optical rotary encoders | |
|-----------------|--------------|---------|-----------------------------|----------------|-----------------------------|-------|-------|-------------------------|---|
| | | | IH28M IV28M/1 | IH58M IV58M | IG04M | IG07M | IG09M | IG06 | IG07 IG17 |
| Page | Cable sheath | Product | | | | | | | |
| Cable extension | | | | | | | | | |
| 109 | PUR | KV07S0 | ▶ PP ⊙ E6X | | ▶ PP ⊙ E6X | | | ⊙ E6X, E6 | ▶ PP (AXX, AX0, AXI, ABX, ABO, ABI), OP (AXX, AX0, AXI, ABX) ⊙ EX, E3, E4 |
| 110 | PUR | KV12S0 | ▶ OP, LD5, LD24 ⊙ E6X | | ▶ OP, LD5, LD24 ⊙ E6X | ⊙ EX | ⊙ E6X | | ▶ OP (AB0, ABI) OC, LD5, LD24 ⊙ EX, E3, E4 |
| 111 | PUR | KV12S1 | | ⊙ E2 | | | | | |

2.5

Profile

- Ready-to-use cable connection
- Cable lengths up to 20 m

 Voltage drop should be envisaged with increasing cable length. This should be taken into account for the electrical design.



Mechanical data

| Feature | Technical data | Additional information |
|-------------------|-----------------|------------------------|
| Cable sheath | PUR | |
| Temperature range | -30 ... +100 °C | |

2.5

Pin assignment

▪ KV07S0

| Cable color | PIN |
|-------------|-----|
| white | 1 |
| brown | 2 |
| green | 3 |
| yellow | 4 |

| Cable color | PIN |
|-------------|-----|
| gray | 5 |
| pink | 6 |
| blue | 7 |

Order

▪ Order table

| Feature | Order text | Specification | Additional information |
|--------------------|------------|---------------------------------------|------------------------|
| Type of connection | GE W | A straight connector angle plug | not with KV12S1 |
| Cable length | ... | B 1 ... 20 m, in steps of 1 m | |

▪ Order code

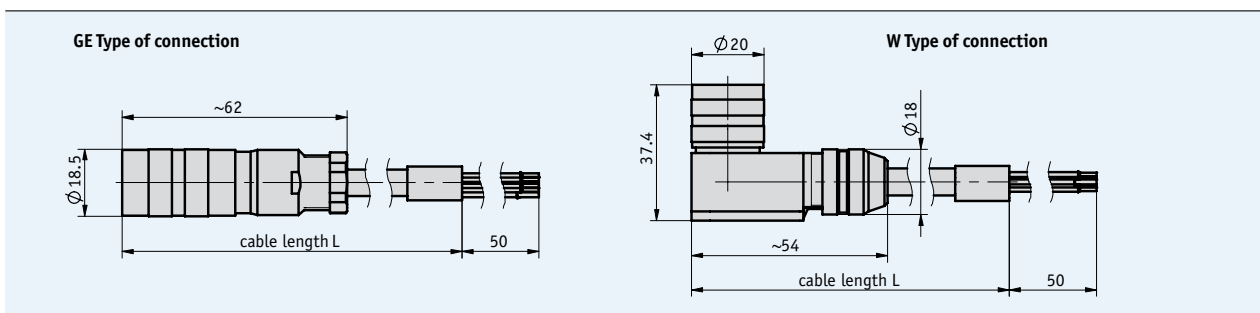
KV07S0 - -
A B

Scope of delivery: KV07S0, User information

Profile

- Ready-to-use cable connection
- Cable lengths up to 20 m

! Voltage drop should be envisaged with increasing cable length. This should be taken into account for the electrical design.



Mechanical data

| Feature | Technical data | Additional information |
|-------------------|-----------------|------------------------|
| Cable sheath | PUR | |
| Temperature range | -30 ... +100 °C | |

Pin assignment

KV12S0

| Cable color | PIN |
|-------------|-----|
| blue | A |
| violet | B |
| green | C |
| red | D |
| yellow | E |
| pink | F |

| Cable color | PIN |
|-------------|-----|
| red-blue | G |
| white | H |
| gray-pink | J |
| gray | K |
| black | L |
| brown | M |

Order

Order table

| Feature | Order text | Specification | Additional information |
|--------------------|------------|---------------------------------------|------------------------|
| Type of connection | GE W | A straight connector angle plug | |
| Cable length | ... | B 1 ... 20 m, in steps of 1 m | |


Order code

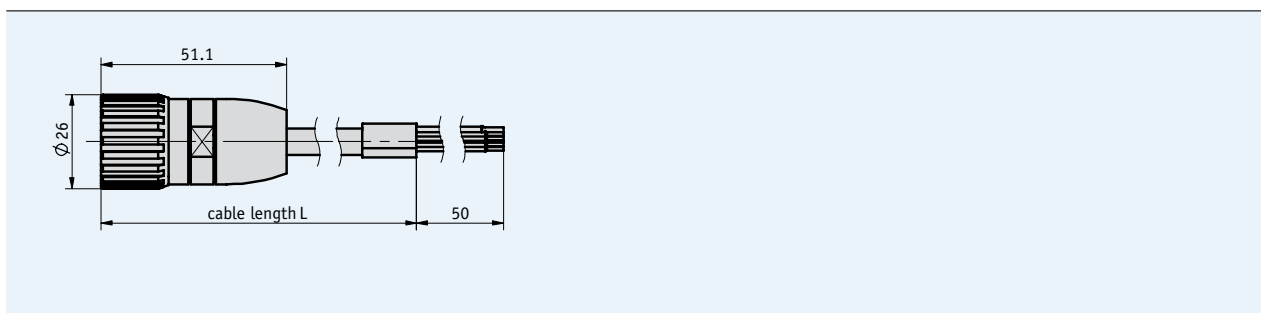
KV12S0 - -

Scope of delivery: KV12S0, User information

Profile

- Ready-to-use cable connection
- Cable lengths up to 20 m

 Voltage drop should be envisaged with increasing cable length. This should be taken into account for the electrical design.



Mechanical data

| Feature | Technical data | Additional information |
|-------------------|-----------------|------------------------|
| Cable sheath | PUR | |
| Temperature range | -30 ... +100 °C | |

2.5

Pin assignment

KV12S1

| Cable color | PIN |
|-------------|-----|
| blue | 1 |
| violet | 2 |
| green | 3 |
| red | 4 |
| yellow | 5 |
| pink | 6 |

| Cable color | PIN |
|-------------|-----|
| red-blue | 7 |
| white | 8 |
| gray-pink | 9 |
| gray | 10 |
| black | 11 |
| brown | 12 |

Order

Order table

| Feature | Order text | Specification | Additional information |
|--------------|------------|-----------------------------|------------------------|
| Cable length | ... A | 1 ... 20 m, in steps of 1 m | |

Order code

KV12S1 - GE -

Scope of delivery: KV12S1, User information