

DriveLine accessories

■ **Matrix for cable extensions**


Cable extensions are available for a number of DriveLine actuators. The appropriate pin assignments can be found on the relevant product pages (see matrix).

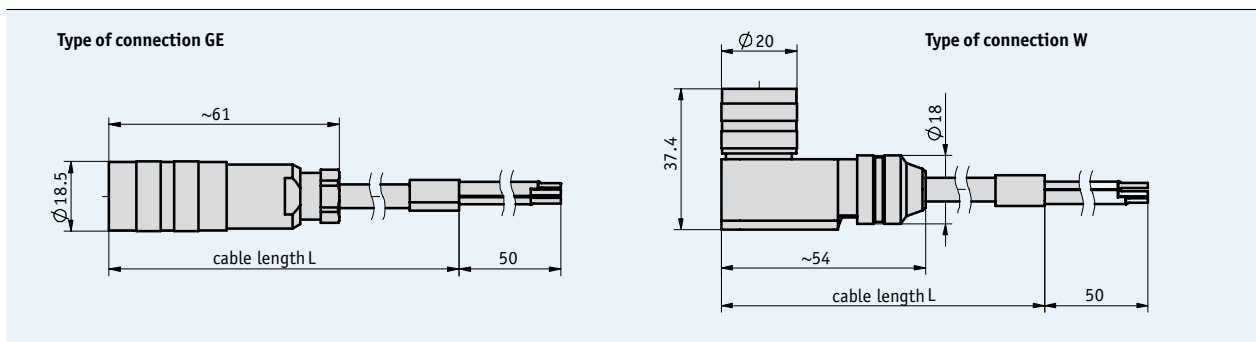
4.2

			Actuators							
			AG01 incre- mental	AG01 analog	AG02 incre- mental	AG02 analog	AG02 fieldbus	AG04B fieldbus	AG05 fieldbus	AG12 incre- mental
Page	Cable	Products								
Cable extension										
51	PVC	KV02S0			•	•	•			•
52	PUR	KV03S0		•						
53	PVC	KV03S1						•		
54	PVC	KV04S0	•	•						
55	PUR	KV04S1							•	
56	PUR	KV07S0				•		•		
57	PVC	KV08S0	•		•					
58	PUR	KV12S0			•		•			•

Profile

- Ready-to-use cable connection
- Cable lengths up to 20 m

 Voltage drop should be envisaged with increasing cable length. This should be taken into account for the electrical design.



4.2

Mechanical data

Feature	Technical data	Additional information
Cable	PVC, Ø6.3 mm, 2 x 0.75 mm ²	
Temperature range	-30 ... +80 °C	

Pin assignment

KV02S0

Cable number	PIN
1 (black)	1
	2
2 (black)	3

Order

Order table

Feature	Order text	Specification	Additional information
Type of connection	GE	straight connector	
	W	angle connector	not for KV12S1
Cable length	...	1 ... 20 m, in steps of 1 m	

Order code

KV02S0 - -

Scope of delivery: KV02S0, User information

Profile

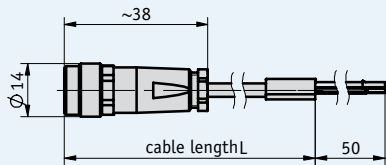
- Ready-to-use cable connection
- Cable lengths up to 20 m

! Voltage drop should be envisaged with increasing cable length. This should be taken into account for the electrical design.

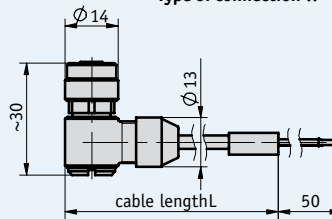


4.2

Type of connection GE



Type of connection W



Mechanical data

Feature	Technical data	Additional information
Cable	PUR, Ø3.5 mm, 3 x 0.15 mm ²	
Temperature range	-30 ... +80 °C	

Pin assignment

■ KV03S0

Cable color	PIN
brown	1
green	2
white	3

Order

■ Order table

Feature	Order text	Specification	Additional information
Type of connection	GE	straight connector	
	W	angle connector	not for KV12S1
Cable length	...	1 ... 20 m, in steps of 1 m	

■ Order code

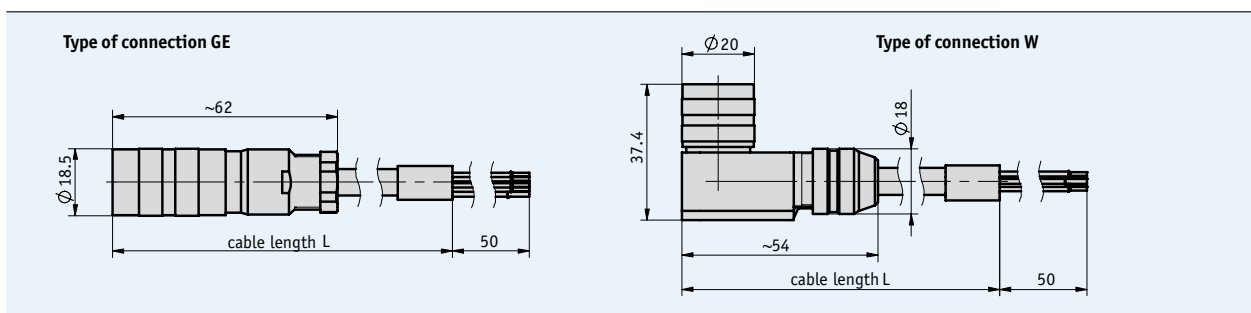
KV03S0 - -

Scope of delivery: KV03S0, User information

Profile

- Ready-to-use cable connection
- Cable lengths up to 20 m

! Voltage drop should be envisaged with increasing cable length. This should be taken into account for the electrical design.



4.2

Mechanical data

Feature	Technical data	Additional information
Cable	PUR, Ø7.5 mm, 3 x 0.75 mm ²	
Temperature range	-30 ... +100 °C	

Pin assignment

KV03S1

Cable number	PIN
1 (black)	1
2 (black)	2
3 (black)	3

Order

Order table

Feature	Order text	Specification	Additional information
Type of connection	GE	straight connector	
	W	angle connector	
Cable length	...	1 ... 20 m, in steps of 1 m	


Order code

KV03S1 - -

Scope of delivery: KV03S1, User information

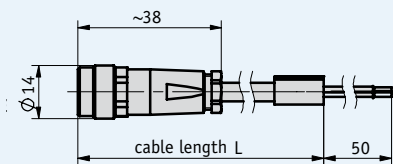
Profile

- Ready-to-use cable connection
- Cable lengths up to 20 m

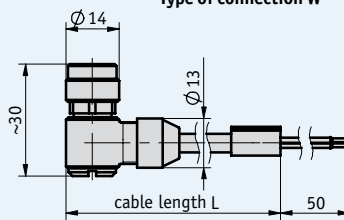
 Voltage drop should be envisaged with increasing cable length. This should be taken into account for the electrical design.



Type of connection GE



Type of connection W



Mechanical data

Feature	Technical data	Additional information
Cable	PVC, Ø4.8 mm, 4 x 0.15 mm ²	
Temperature range	-30 ... +80 °C	

Pin assignment

KV04S0

Cable color	PIN
white	1
brown	2
green	3
yellow	4

Order

Order table

Feature	Order text	Specification	Additional information
Type of connection	GE	straight connector	
	W	angled connector	not for KV12S1
Cable length	...	1 ... 20 m, in steps of 1 m	


Order code

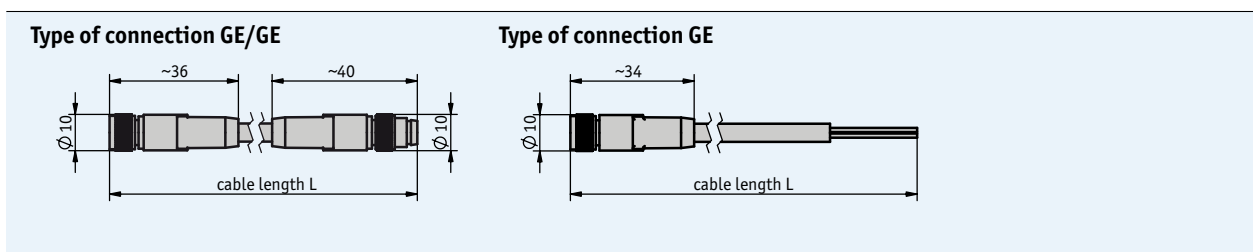
KV04S0 - -

Scope of delivery: KV04S0, User information

Profile

- Ready-to-use cable connection
- Cable lengths up to 10 m

 Voltage drop should be envisaged with increasing cable length. This should be taken into account for the electrical design.



4.2

Mechanical data

Feature	Technical data	Additional information
Cable	PUR, Ø4.8 mm, 4 x 0.25 mm ²	
Temperature range	-30 ... +100 °C	

Pin assignment

■ KV04S1

Cable color	PIN
brown	1
white	2
blue	3
black	4

Order

■ Order table


Feature	Order text	Specification	Additional information
Type of connection	GE	M8 bushing, flying leads	only cable length 3.0, 5.0, 10.0 m
	GE/GE	M8 bushing, M8 connector	
Cable length	...	0.5, 1.0, 3.0, 5.0, 10.0 m	others on request

■ Order code



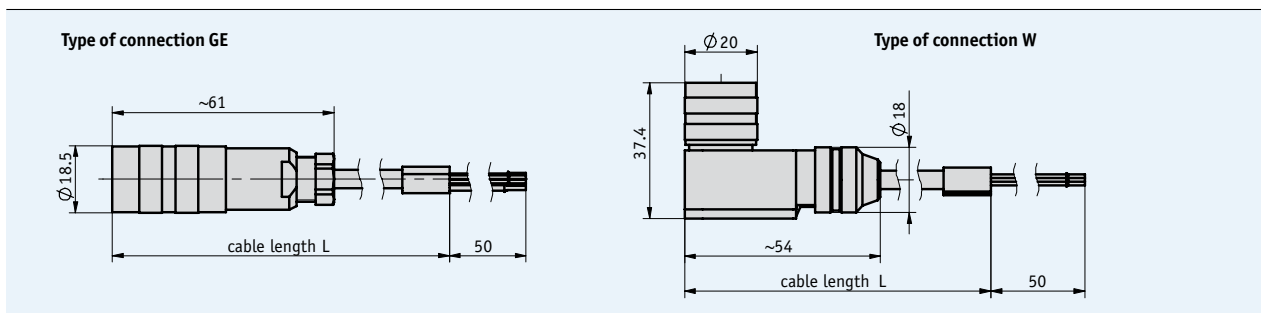
Profile

- Ready-to-use cable connection
- Cable lengths up to 20 m

 *Voltage drop should be envisaged with increasing cable length. This should be taken into account for the electrical design.*



4.2



Mechanical data

Feature	Technical data	Additional information
Cable	PUR, Ø5.1 mm, 7 x 0.14 mm ²	
Temperature range	-30 ... +80 °C	

Pin assignment

■ KV07S0

Cable color	PIN
white	1
brown	2
green	3
yellow	4

Cable color	PIN
gray	5
pink	6
blue	7

Order

■ Order table

Feature	Order text	Specification	Additional information
Type of connection	GE	straight connector	
	W	angle connector	not for KV12S1
Cable length	...	1 ... 20 m, in steps of 1 m	


■ Order code



Scope of delivery: KV07S0, User information

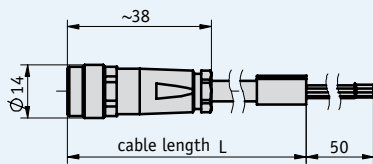
Profile

- Ready-to-use cable connection
- Cable lengths up to 20 m

 Voltage drop should be envisaged with increasing cable length. This should be taken into account for the electrical design.



Type of connection GE



4.2

Mechanical data

Feature	Technical data	Additional information
Cable	PVC, Ø5.4 mm, 8 x 0.14 mm ²	
Temperature range	-30 ... +80 °C	

Pin assignment

KV08S0

Cable color	PIN
white	1
brown	2
green	3
yellow	4

Cable color	PIN
gray	5
pink	6
blue	7
red	8

Order

Order table

Feature	Order text	Specification	Additional information
Cable length	...	1 ... 20 m, in steps of 1 m	

Order code

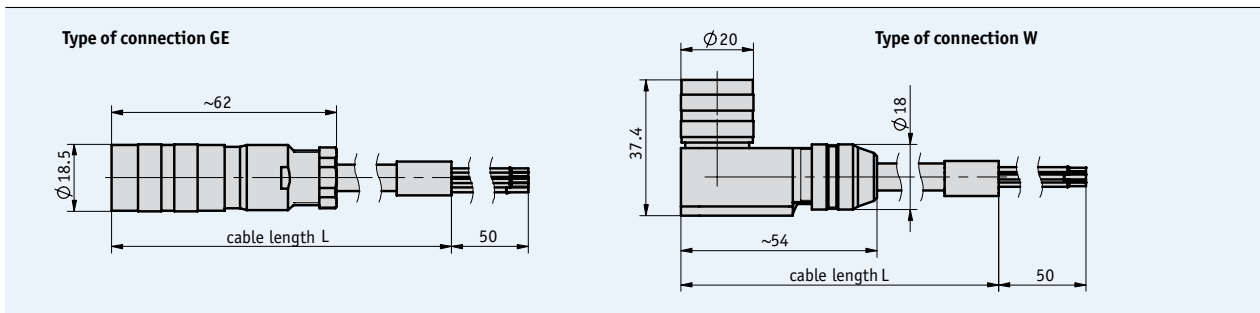
KV08S0 -

Scope of delivery: KV08S0, User information

Profile

- Ready-to-use cable connection
- Cable lengths up to 20 m

! Voltage drop should be envisaged with increasing cable length. This should be taken into account for the electrical design.



Mechanical data

Feature	Technical data	Additional information
Cable	PUR, Ø7.3 mm, 12 x 0.25 mm ²	
Temperature range	-30 ... +100 °C	

Pin assignment

KV12S0

Cable color	PIN
blue	A
violet	B
green	C
red	D
yellow	E
pink	F

Cable color	PIN
red-blue	G
white	H
gray-pink	J
gray	K
black	L
brown	M

Order

Order table

Feature	Order text	Specification	Additional information
Type of connection	GE W	A straight connector angle connector	
Cable length	...	B 1 ... 20 m, in steps of 1 m	

Order code

KV12S0 - -

Scope of delivery: KV12S0, User information