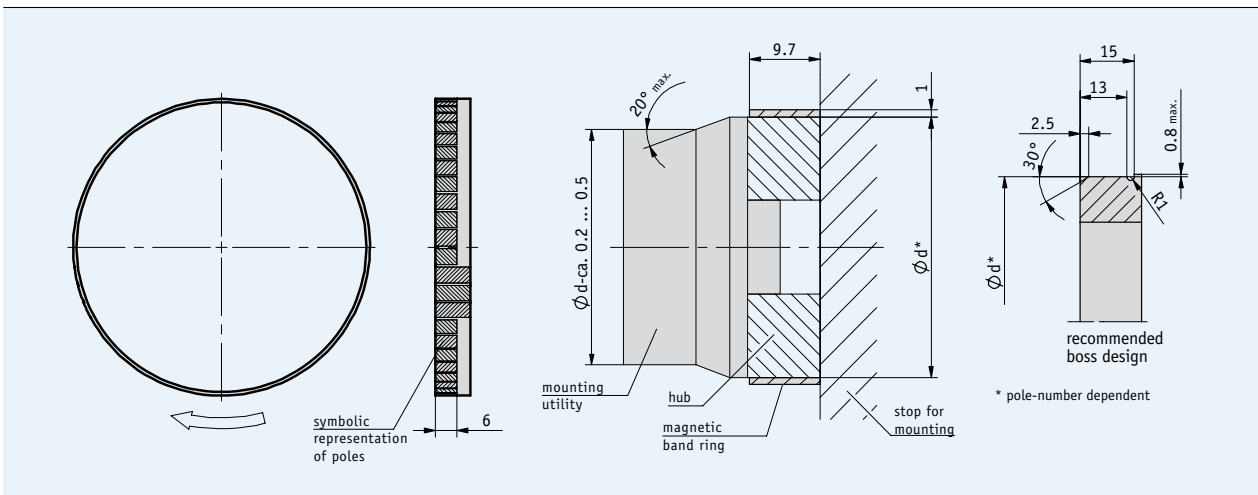


### Profile

- With reference point as an option
- Easy mounting on self-made carrier



### Mechanical data

Feature	Technical data	Additional information
Pole length	1 mm	
Measuring length	360°	
Band width	10 mm	
Thickness	1 mm	without cover and adhesive carrier strip
Operating temperature	-20 ... +70 °C	
Storage temperature	-20 ... +70 °C	
Humidity	100 % rh	condensation permitted
Mounting type	glued joint	recommended two-component adhesive: Uhu Plus 300 Endfest
Minimum diameter	40 mm	
Maximum diameter	400 mm	

### ■ Dimensions for magnetic band ring accommodation

Poles	460	540	720	1120
Diameter d (mm)	144.7 ±0.03	170.1 ±0.03	227.4 ±0.03	354.74 ±0.03
Diameter with MBR100 (mm)	146.7	172.1	229.4	356.74
Circumference with MBR100 (mm)	460.87	540.67	720.68	1120.73
Max. Speed n (rpm)	2600	2210	1660	1070

### ■ Periods/revolution

Number of poles	460	540	720	1120
Period	460	540	720	1120

The table applies to the combination of MBR100 with LE100/1

## Order

### Order table

Feature	Order data	Specifications	Additional information
Number of poles	460	A 460 poles	
	540		540 poles
	720		720 poles
	1120		1120 poles
			others on request
Reference point	O	B without	
	M		with

### Order code

MBR100 -  -   
A B

**Scope of delivery:** MBR100, User information

**Additional information:**

Short Description, Technical Details  
 Product Overview

Page 140 cont.  
 Page 4 cont.